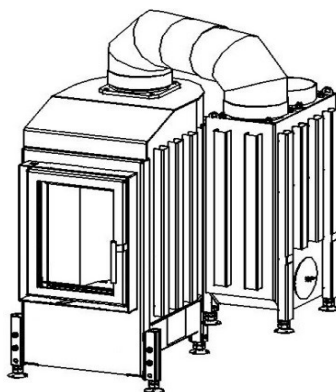


Sizes		KPL 400 530/375	
1	A	mm	375
2	F	mm	1055
3	C	mm	695
4	DN	Ø mm	180
5	B	mm	530
6	J	mm	325 + /160/
7	V	mm	565
8	L	Ø mm	125
9	N	mm	80


Basic design:

Thermodynamic Hearth
 Refractory cement
 Glass Classic
 Inox control grip-handle RP2
 Environmentally friendly varnish

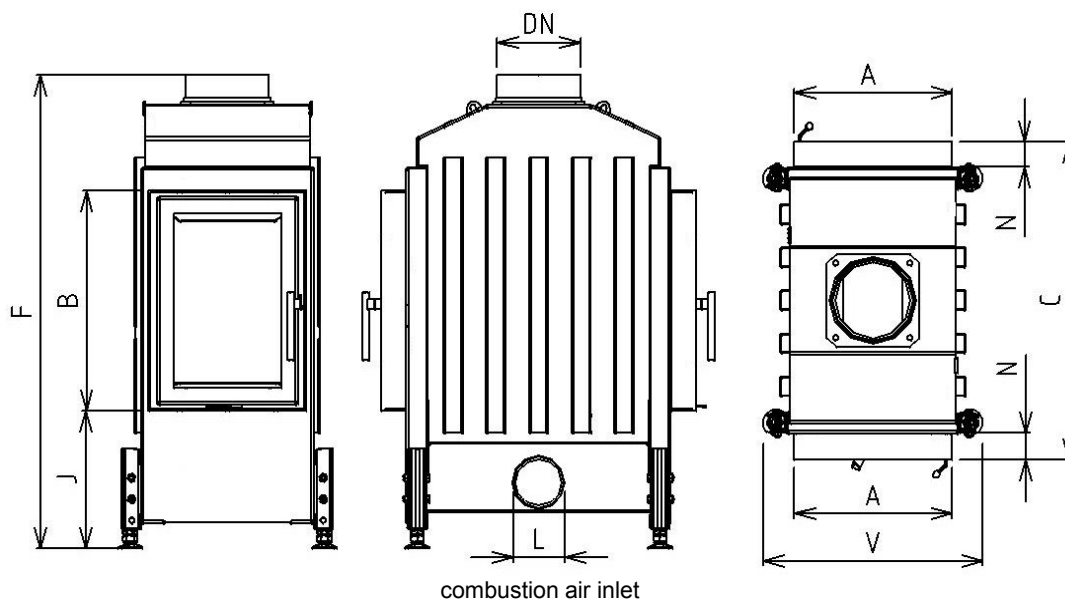
Technical parameters			
1	Nominal heat output	kW	10
2	Nominal heat output do vody		
3	Pressure required	Pa	12
4	Average efficiency	%	90,5
5	Average flue gas temperature	°C	352
6	Wood consuption	kg/h	3,5
7	Consumption of combustion air	m ³ /h	30
8	Emission of CO to 13% O ₂	%	0,1
9	Flue gas mass flow	g/s	13,2
10	Weight	kg	200
11	Required min. cross section for circulating air - INPUT	cm ²	300
12	Required min. cross section for circulating air - OUTPUT	cm ²	500
13	Three-component insulated chimney - active height 5 m	Ø cm	180
14	Character of building construction with fireplace insert	warm air convection	Yes
		heat storage without conv	Yes

Optional accessories:

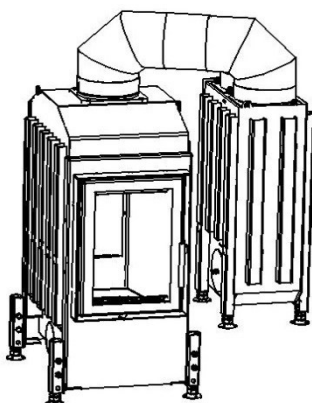
Cover frame (KR)
 Glass Reflex (SR)
 Black printed glass(SM)
 External ashtray (VOP)
 Rear feeding door (DPS, DPSO)
 Heat accumulation quadrant (APO)

The technical parameters apply to the VERTIKAL 750, they may be different for other heat exchangers:

15	Nominal heat output	kW	13,2
16	Average temperature behind the heat exchanger	°C	144
17	Required min. cross section for circulating air - INPUT	cm ²	400
18	Required min. cross section for circulating air - OUTPUT	cm ²	675
19	Three-component insulated chimney - active height 7 m	Ø cm	180



Sizes			KPL 400 530/375 PD
1	A	mm	375
2	F	mm	1055
3	C	mm	790
4	DN	Ø mm	180
5	B	mm	520
6	J	mm	325 + /160/
7	V	mm	565
8	L	Ø mm	125
9	N	mm	80


Basic design:

Thermodynamic Hearth
 Refractory cement
 Glass Classic
 Inox control grip-handle RP2
 Environmentally friendly varnish

Technical parameters			
1	Nominal heat output	kW	10
2	Pressure required	Pa	12
3	Average efficiency	%	87,2
4	Average flue gas temperature	°C	352
5	Wood consumption	kg/h	3,5
6	Consumption of combustion air	m ³ /h	30,0
7	Emission of CO to 13% O ₂	%	0,06
8	Flue gas mass flow	g/s	13,2
9	Weight	kg	220
10	Required min. cross section for circulating air - INPUT	cm ²	300
11	Required min. cross section for circulating air - OUTPUT	cm ²	500
12	Three-component insulated chimney - active height 5 m	Ø cm	180
13	Character of building construction with fireplace insert	warm air convection	Yes
		heat storage without conv	Yes

Optional accessories:

Cover frame (KR)
 Glass Reflex (SR)
 External ashtray (VOP)
 Heat accumulation quadrant (APO)

The technical parameters apply to the VERTIKAL 750, they may be different for other heat exchangers:

14	Nominal heat output	kW	13,2
15	Average temperature behind the heat exchanger	°C	144
16	Required min. cross section for circulating air - INPUT	cm ²	400
17	Required min. cross section for circulating air - OUTPUT	cm ²	675
18	Three-component insulated chimney - active height 7 m	Ø cm	180

Test Method: ČSN EN 1322/A2:2007, FprEN16510-1, FprEN16510-2-2

Fireplace complies with the requirements: EN 13229, DIN +, BlmSchV-Stufe 2, 15a B-VG, Commission Regulation (EU) č. 2015/1185/EC design requirements

KOBOK reserves the right to change dimensions and parameters described in these sheets. The current edition can be downloaded from www.KOBOK.sk