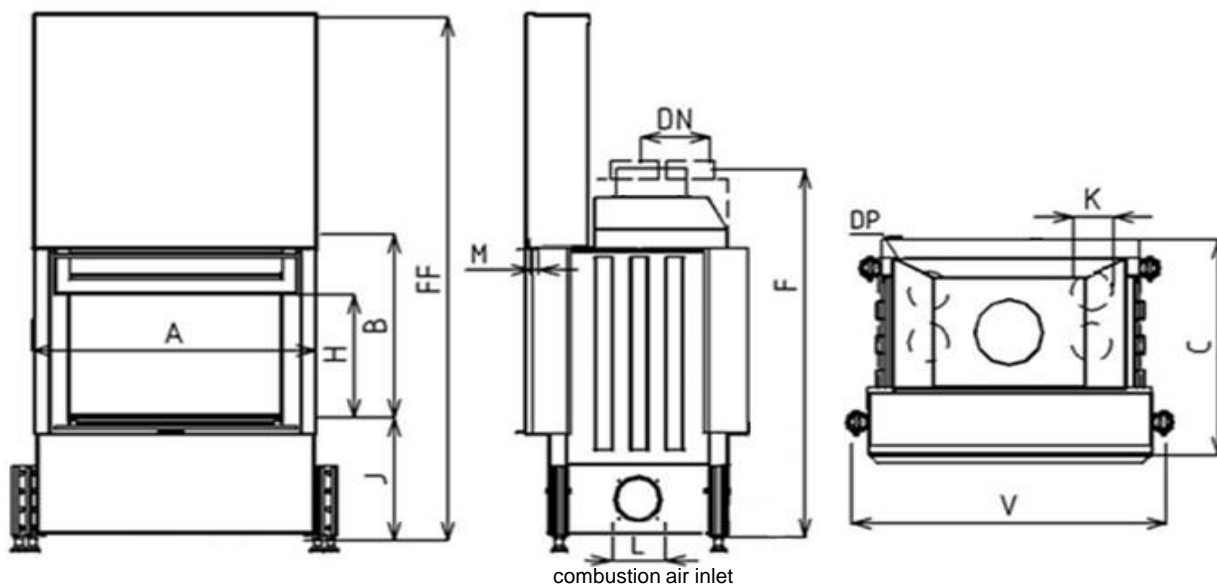


KAZETA O 73 VD 800/450,510

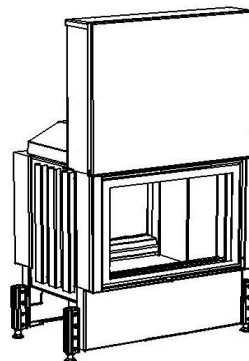
Low-energy range 73

Low-energy fireplace insert


Sizes			KAZETA O 73 VD 800/450	KAZETA O 73 VD 800/510
1	A	mm	800	
2	F	mm	1060	1120
3	C	mm	510	
4	DN	Ø mm	180	
5	B	mm	450	510
6	FF	mm	1350	1470
7	V	mm	910	
8	AA	mm	730	
9	H	mm	315	375
10	J	mm	325 + /160/	
11	K	Ø mm	4x125	
12	L	Ø mm	125	
13	M	mm	125	

Basic design:

Thermodynamic Hearth
 Segment chamotte lining
 Glass Classic
 Inox control grip-handle MP2, RP2
 1 x VD, 1 x LD
 Environmentally friendly varnish



Technical parameters			
1	Nominal heat output	kW	8,0
2	Pressure required	Pa	12
3	Average efficiency	%	76,9
4	Average flue gas temperature	°C	259
5	Wood consumption	kg/h	2,5
6	Consumption of combustion air	m ³ /hod	24
7	Emission of CO to 13% O2	%	0,1
8	Flue gas mass flow	g/s	9,6
9	Weight	kg	275
10	Required min. cross section for circulating air - INPUT	cm ²	250
11	Required min. cross section for circulating air - OUTPUT	cm ²	400
12	Three-component insulated chimney - active height 5 m	Ø cm	180
13	Character of building construction with fireplace insert	warm air convection	Yes
		heat storage without conv	No

Optional accessories:

Cover frame (KR)
 Glass Reflex (SR)
 Black printed glass (SM)
 Black printed glass Reflex (SMR)
 External ashtray (VOP)
 Lower hearth (ZO)
 Convectional casing (DP)
 Rear feeding door (DPS, DPSO)
 Lift up door (2xVD)

Test Method: ČSN EN 1322/A2:2007, FprEN16510-1, FprEN16510-2-2

Fireplace complies with the requirements: EN 13229, DIN +, BlmSchV-Stufe 2, Commission Regulation (EU) č. 2015/1185 Ecodesign requirements

KOBOK reserves the right to change dimensions and parameters described in these sheets. The current edition can be downloaded from www.KOBOK.sk