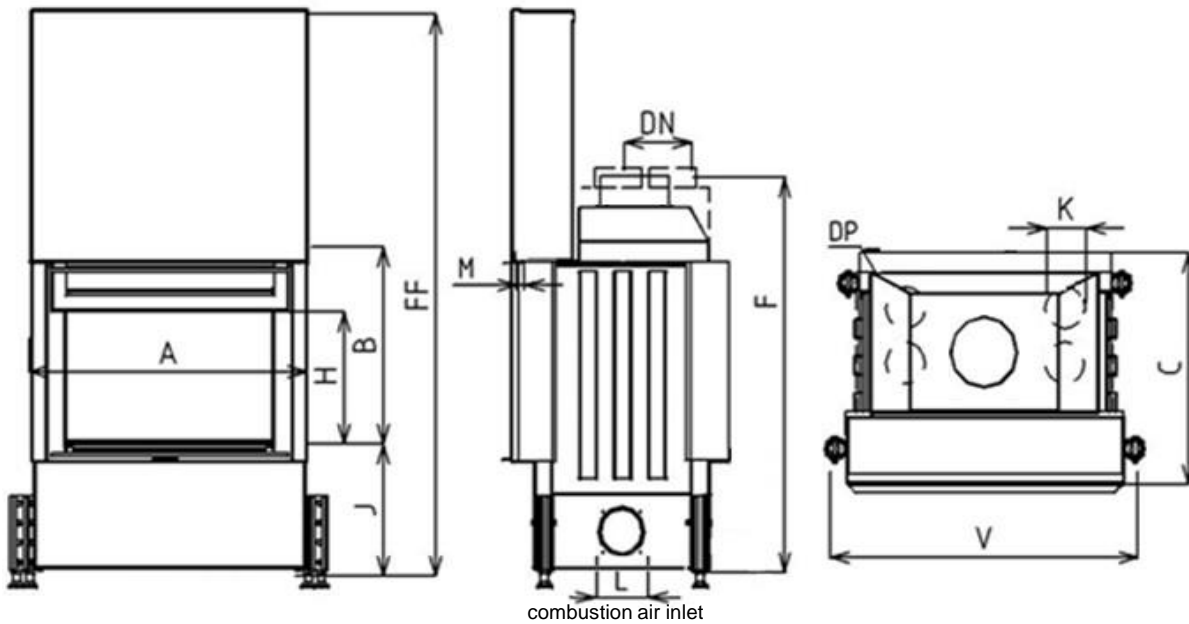


**KAZETA O 60 VD 670/450,510**

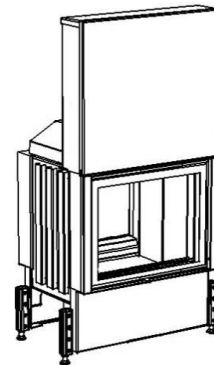
Low-energy range 60

**Low-energy fireplace insert**


Sizes		KAZETA O 60 VD 670/450	KAZETA O 60 VD 670/510
1	A	mm	670
2	F	mm	1060
3	C	mm	510
4	DN	Ø mm	180
5	B	mm	450
6	FF	mm	1350
7	V	mm	780
8	AA	mm	600
9	H	mm	315
10	J	mm	325 + /165/
11	K	Ø mm	125
12	L	Ø mm	125
13	M	mm	20

**Basic design:**

Thermodynamic Hearth  
 Segment chamotte lining  
 Glass Classic  
 Inox control grip-handle MP2, RP2  
 1 x VD, 1 x LD  
 Environmentally friendly varnish



Technical parameters			
1	Nominal heat output	kW	6,5
2	Pressure required	Pa	12
3	Average efficiency	%	77,9
4	Average flue gas temperature	°C	263
5	Wood consuption	kg/h	2,1
6	Consumption of combustion air	m <sup>3</sup> /hod	19,5
7	Emission of CO to 13% O2	%	0,1
8	Flue gas mass flow	g/s	7
9	Weight	kg	240
10	Required min. cross section for circulating air - INPUT	cm <sup>2</sup>	200
11	Required min. cross section for circulating air - OUTPUT	cm <sup>2</sup>	325
12	Three-component insulated chimney - active height 6 m	Ø cm	160
13	Character of building construction with fireplace insert	warm air convection	Yes
		heat storage without conv	No

**Optional accessories:**

Cover frame (KR)  
 Glass Reflex (SR)  
 Black printed glass(SM)  
 Black printed glass Reflex (SMR)  
 External ashtray (VOP)  
 Lower hearth (ZO)  
 Convectional casing (DP)  
 Rear feeding door (DPS,DPSO)  
 Lift up door (2xVD)

Test Method: ČSN EN 1322/A2:2007, FprEN16510-1, FprEN16510-2-2

Fireplace complies with the requirements: EN 13229, DIN +, BImSchV-Stufe 2, Commission Regulation (EU) č. 2015/1185 Ecodesign requirements

KOBOK reserves the right to change dimensions and parameters described in these sheets. The current edition can be downloaded from www.KOBOK.sk