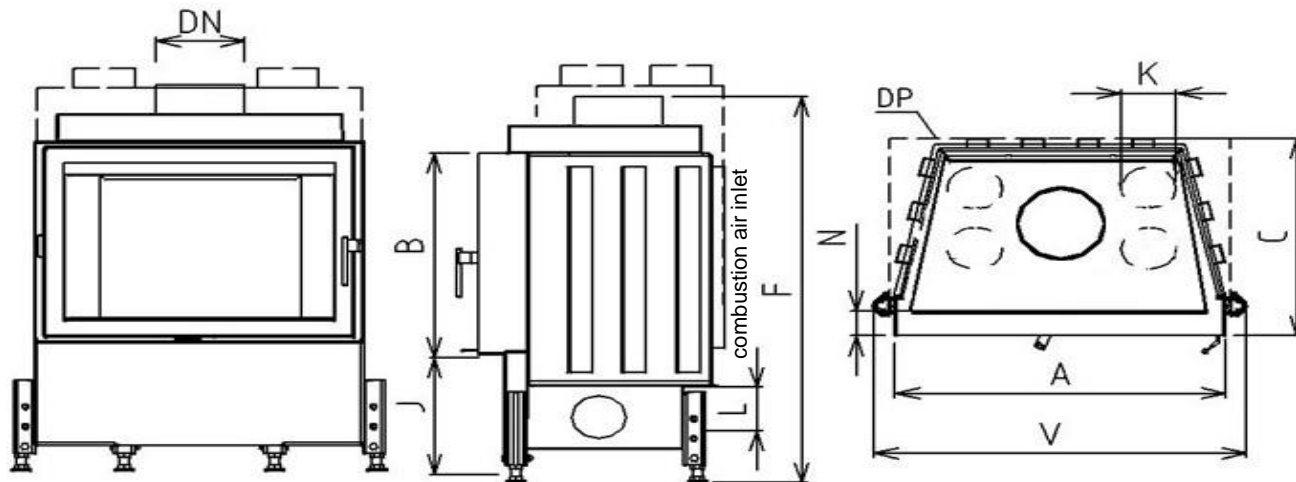


KAZETA L 90 LD 900/450,510

Low-energy range 90

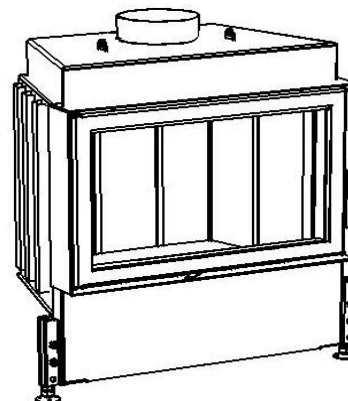
Low-energy fireplace insert



Sizes		KAZETA L 90 LD 900/450	KAZETA L 90 LD 900/510
1	A	mm	900
2	F	mm	960
3	C	mm	470
4	DN	Ø mm	200
5	B	mm	450
6	V	mm	1010
7	R	mm	
8	AA	mm	
9	H	mm	
10	J	mm	325 + /160/
11	K	Ø mm	4x125
12	L	Ø mm	125
13	M	mm	
14	N	mm	50

Basic design:

Thermodynamic Hearth
Segment chamotte lining
Glass Classic
Inox control grip-handle RP2
Environmentally friendly varnish



Technical parameters			
1	Nominal heat output	kW	9,5
3	Pressure required	Pa	12
4	Average efficiency	%	77,8
5	Average flue gas temperature	°C	255
6	Wood consumption	kg/h	2,9
7	Consumption of combustion air	m ³ /hod	28,5
8	Emission of CO to 13% O ₂	%	0,1
9	Flue gas mass flow	g/s	10,2
10	Weight	kg	265
11	Required min. cross section for circulating air - INPUT	cm ²	300
12	Required min. cross section for circulating air - OUTPUT	cm ²	475
13	Three-component insulated chimney - active height 6,5 m	Ø cm	200
14	Character of building construction with fireplace insert	warm air convection	Yes
		heat storage without conv	Yes

Optional accessories:

Cover frame (KR)
Glass Reflex (SR)
Black printed glass (SM)
Black printed glass Reflex (SMR)
External ashtray (VOP)
Lower hearth (ZO)
Convictional casing (DP)
Rear feeding door (PD)
Vertical heat-storing panel (AZ)
Heat accumulation quadrant (APO)

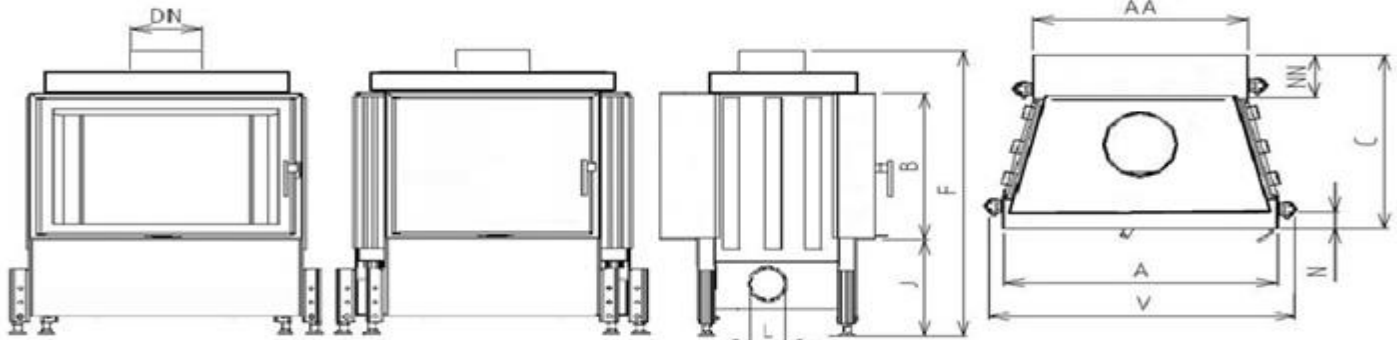
Test Method: ČSN EN 1322/A2:2007, FprEN16510-1, FprEN16510-2-2

Fireplace complies with the requirements: EN 13229, DIN +, BImSchV-Stufe 2, Commission Regulation (EU) č. 2015/1185 Ecodesign requirements

KOBOK reserves the right to change dimensions and parameters described in these sheets. The current edition can be downloaded from www.KOBOK.sk

KAZETA L 90 LD 900/450,510 PD 710/450,510

Low-energy range 90

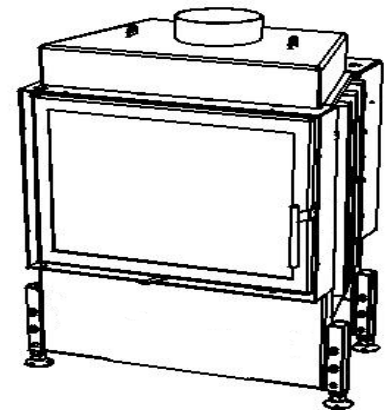
Low-energy fireplace insert


combustion air inlet

Sizes			KAZETA L 90 LD 900/450 PD 710/450	KAZETA L 90 LD 900/510 PD 710/510
1	A	mm	900	
2	F	mm	960	1020
3	C	mm	500	
4	DN	Ø mm	200	
5	B	mm	450	510
6	V	mm	1010	
7	R	mm		
8	AA	mm	710	
9	H	mm		
10	J	mm	325 + /160/	
11	K	Ø mm	4x125	
12	L	Ø mm	125	
13	NN	mm	70	
14	N	mm	50	

Basic design:

Thermodynamic Hearth
 Segment chamotte lining
 Glass Classic
 Inox control grip-handle RP2
 Enviromentally friendly varnish



Technical parameters			
1	Nominal heat output	kW	9,5
2	Pressure required	Pa	12
3	Average efficiency	%	77,8
4	Average flue gas temperature	°C	255
5	Wood consuption	kg/h	2,9
6	Consumption of combustion air	m ³ /hod	28,5
7	Emission of CO to 13% O2	%	0,1
8	Flue gas mass flow	g/s	10,2
9	Weight	kg	295
10	Required min. cross section for circulating air - INPUT	cm ²	300
11	Required min. cross section for circulating air - OUTPUT	cm ²	475
12	Three-component insulated chimney - active height 6 m	Ø cm	200
13	Character of building construction with fireplace insert	warm air convection	Yes
		heat storage without conv	Yes

Optional accessories:

Cover frame (KR)
 Glass Reflex (SR)
 Black printed glass(SM)
 Black printed glass Reflex (SMR)
 External ashtray (VOP)
 Lower hearth (ZO)
 Convectional casing (DP)
 Vertical heat-storing panel (AZ)
 Heat accumulation quadrant (APO)

Test Method: ČSN EN 1322/A2:2007, FprEN16510-1, FprEN16510-2-2

Fireplace complies with the requirements: EN 13229, DIN +, BlmSchV-Stufe 2, Commission Regulation (EU) č. 2015/1185 Ecodesign requirements

KOBOK reserves the right to change dimensions and parameters described in these sheets. The current edition can be downloaded from www.KOBOK.sk