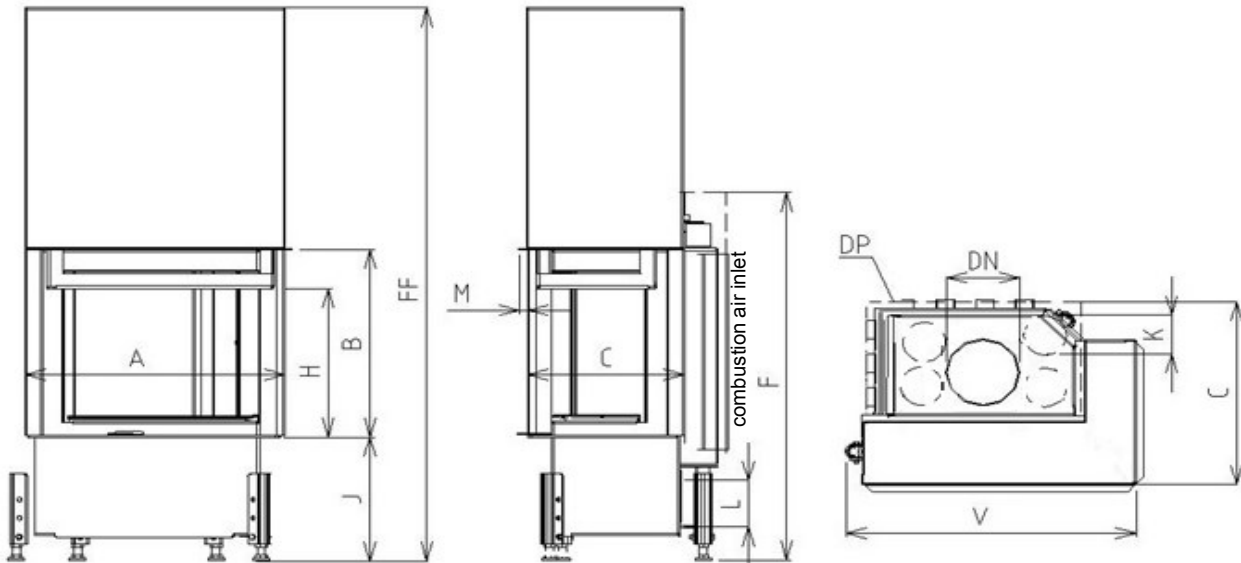


KAZETA R90 67 VD 720/450,510-S/380 (L/P)

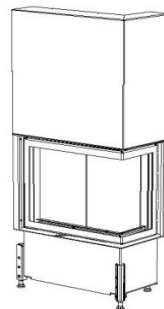
Low-energy range 67

Low-energy fireplace insert


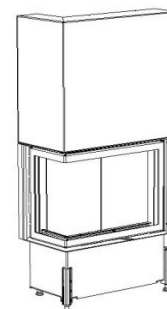
| Sizes | | KAZETA R90 67 VD 720/450- S/380 (L/P) | KAZETA R90 67 VD 720/510- S/380 (L/P) |
|-------|----|---|---|
| 1 | A | mm | 720 |
| 2 | F | mm | 1060 |
| 3 | C | mm | 480 |
| 4 | DN | Ø mm | 180 |
| 5 | B | mm | 450 |
| 6 | FF | mm | 1350 |
| 7 | R | mm | 380 |
| 8 | V | mm | 775 |
| 9 | H | mm | 315 |
| 10 | J | mm | 325 + /160/ |
| 11 | K | Ø mm | 4x125 |
| 12 | L | Ø mm | 125 |
| 13 | M | mm | 20 |
| 14 | N | mm | |

Basic design:

Thermodynamic Hearth
 Segment chamotte lining
 Glass Classic
 Inox control grip-handle MP2
 Environmentally friendly varnish



KAZETA R90-S/380 P VD



KAZETA R90-S/380 L VD

| Technical parameters | | | |
|----------------------|--|---------------------------|------|
| 1 | Nominal heat output | kW | 6,5 |
| 2 | Pressure required | Pa | 12 |
| 3 | Average efficiency | % | 77,7 |
| 4 | Average flue gas temperature | °C | 259 |
| 5 | Wood consuption | kg/h | 2,1 |
| 6 | Consumption of combustion air | m ³ /hod | 19,5 |
| 7 | Emission of CO to 13% O2 | % | 0,1 |
| 8 | Flue gas mass flow | g/s | 6,8 |
| 9 | Weight | kg | 250 |
| 10 | Required min. cross section for circulating air - INPUT | cm ² | 200 |
| 11 | Required min. cross section for circulating air - OUTPUT | cm ² | 325 |
| 12 | Three-component insulated chimney - active height 5 m | Ø cm | 180 |
| 13 | Character of building construction with fireplace insert | warm air convection | Yes |
| | | heat storage without conv | No |

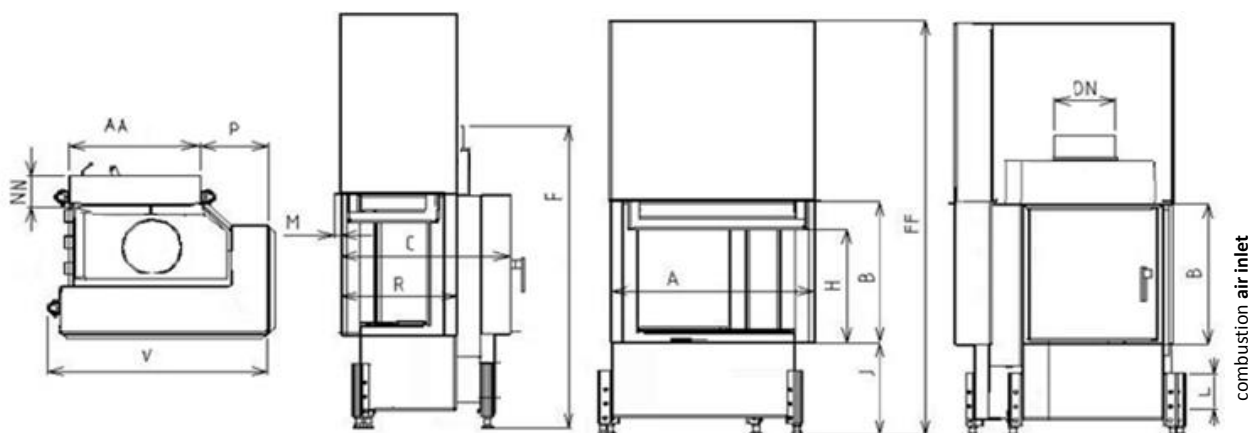
Optional accessories:

Cover frame (KR)
 Glass Reflex (SR)
 Black printed glass(SM)
 Black printed glass Reflex (SMR)
 External ashtray (VOP)
 Lower hearth (ZO)
 Rear feeding door (PD)
 Vertical heat-storing panel (AZ)

Test Method: ČSN EN 1322/A2:2007, FprEN16510-1, FprEN16510-2-2

Fireplace complies with the requirements: EN 13229, DIN +, BImSchV-Stufe 2, Commission Regulation (EU) č. 2015/1185 Ecodesign requirements

KOBOK reserves the right to change dimensions and parameters described in these sheets. The current edition can be downloaded from www.KOBOK.sk

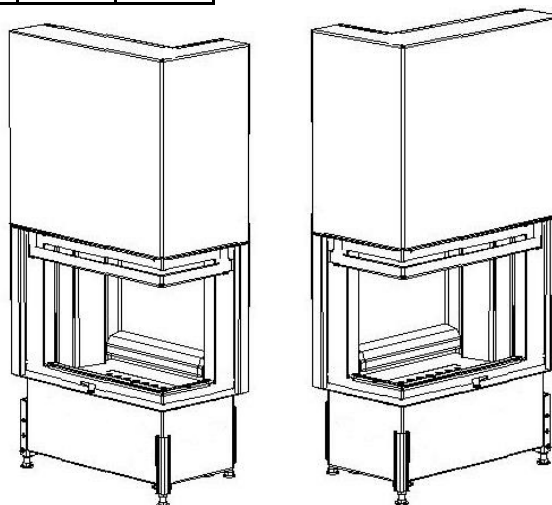
Low-energy fireplace insert


| Technical parameters | | | |
|----------------------|--|----------------------------|------|
| 1 | Nominal heat output | kW | 6,5 |
| 2 | Pressure required | Pa | 12 |
| 3 | Average efficiency | % | 77,7 |
| 4 | Average flue gas temperature | °C | 259 |
| 5 | Wood consuption | kg/h | 2,1 |
| 6 | Consumption of combustion air | m ³ /h | 19,5 |
| 7 | Emission of CO to 13% O ₂ | % | 0,1 |
| 8 | Flue gas mass flow | g/s | 6,8 |
| 9 | Weight | kg | 305 |
| 10 | Required min. cross section for circulating air - INPUT | cm ² | 200 |
| 11 | Required min. cross section for circulating air - OUTPUT | cm ² | 325 |
| 12 | Three-component insulated chimney - active height 5 m | Ø cm | 180 |
| 13 | character of building construction with fireplace insert | warm air convection | yes |
| | | heat storage without conv. | no |

Optional accessories:

- Cover frame (KR)
- Black printed glass(SM)
- Lower hearth (ZO)
- Convectonal casing (DP)
- Heat accumulation quadrant (APO)

| | Sizes | | KAZETA R90 67 | KAZETA R90 67 |
|----|-------|------|--|--|
| | | | VD 720/450- S/380 (L/P) PD 480/450 | VD 720/510- S/380 (L/P) PD 480/510 |
| 1 | A | mm | 720 | |
| 2 | F | mm | 1060 | 1120 |
| 3 | C | mm | 600 | |
| 4 | DN | Ø mm | 180 | |
| 5 | B | mm | 450 | 510 |
| 6 | P | mm | 200 | |
| 7 | R | mm | 380 | |
| 8 | AA | mm | 480 | |
| 9 | P | mm | 200 | |
| 10 | J | mm | 325 + /160/ | |
| 11 | FF | mm | 1350 | 1470 |
| 12 | L | Ø mm | 125 | |
| 13 | NN | mm | 150 | |
| 14 | H | mm | 315 | 375 |
| 15 | V | mm | 775 | |



KAZETA R90-S/380 P PD 480

KAZETA R90-S/380 L PD 480

Test Method : ČSN EN 1322/A2:2007, FrpEN16510-1, FrpEN16510-2-2

Fireplace complies with the requirements: EN 13229, DIN +, BlmSchV-Stufe 2, Commission Regulation (EU) č. 2015/1185 Ecodesign requirements

KOBOK reserves the right to change dimensions and parameters described in these sheets. The current edition can be downloaded from www.KOBOK.sk