

Sizes		KAZETA 2R90 78 LD2 780/450- S/330	KAZETA 2R90 78 LD2 780/510- S/330
1	A	mm	780
2	F	mm	960
3	C	mm	465
4	DN	Ø mm	200
5	B	mm	450
6	V	mm	510
7	R	mm	330
8	AA	mm	
9	H	mm	
10	J	mm	325 + /160/
11	K	Ø mm	2 x 125
12	L	Ø mm	125
13	M	mm	
14	N	mm	50

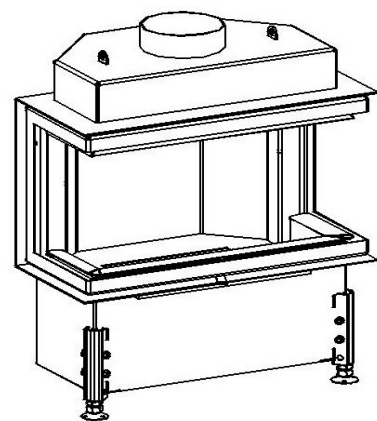
Basic design:

Segment chamotte lining
 Glass Classic
 Inox control grip-handle RP1A
 Environmentally friendly varnish
 External air inlet

Optional accessories:

Convictional casing (DP)
 External ashtray (VOP)
 Lower hearth (ZO)
 Black segm. chamotte lining (SOČ)
 Vertical heat-storing panel (AZ)
 Heat accumulation quadrant (APO)
 Lava basket (KL)
 Glass Reflex (SR)
 Black printed glass (SM)
 Cover frame removable

Technical parameters			
1	Nominal heat output	kW	9
2	Pressure required	Pa	12
3	Average efficiency	%	77,2
4	Average flue gas temperature	°C	239
5	Wood consumption	kg/h	2,8
6	Consumption of combustion air	m ³ /h	27
7	Emission of CO to 13% O2	%	0,1
8	Flue gas mass flow	g/s	11,5
9	Weight	kg	185
10	Required min. cross section for circulating air - INPUT	cm ²	275
11	Required min. cross section for circulating air - OUTPUT	cm ²	450
12	Three-component insulated chimney - active height 5 m	Ø cm	180
13	Character of building construction	warm air convection	yes
	with fireplace insert	heat storage without conv	yes



Test Method: ČSN EN 1322/A2:2007, FprEN16510-1, FprEN16510-2-2

Fireplace complies with the requirements: EN 13229, DIN +, Commission Regulation (EU) č. 2015/1185 Ecodesign requirements

KOBOK reserves the right to change dimensions and parameters described in these sheets. The current edition can be downloaded from www.KOBOK.sk