

| Sizes | | KAZETA 2R90 73 LD2 730/450- S/330 | KAZETA 2R90 73 LD2 730/510- S/330 |
|-------|----|---|---|
| 1 | A | mm | 730 |
| 2 | F | mm | 960 1020 |
| 3 | C | mm | 465 |
| 4 | DN | Ø mm | 180 |
| 5 | B | mm | 450 510 |
| 6 | V | mm | |
| 7 | R | mm | 330 |
| 8 | AA | mm | |
| 9 | H | mm | |
| 10 | J | mm | 325 + /160/ |
| 11 | K | Ø mm | 2 x 125 |
| 12 | L | Ø mm | 125 |
| 13 | M | mm | |
| 14 | N | mm | 50 |

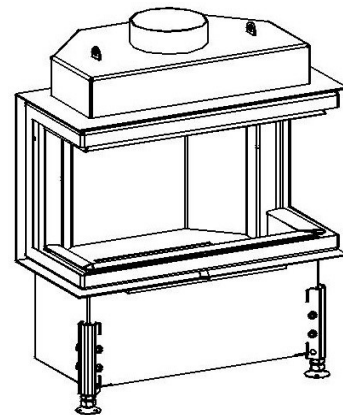
Basic design:

Segment chamotte lining
 Glass Classic
 Inox control grip-handle RP1A
 Environmentally friendly varnish
 External air inlet

Optional accessories:

Convective casing (DP)
 External ashtray (VOP)
 Lower hearth (ZO)
 Black segm. chamotte lining (SOČ)
 Vertical heat-storing panel (AZ)
 Heat accumulation quadrant (APO)
 Lava basket (KL)
 Glass Reflex (SR)
 Black printed glass (SM)
 Cover frame removable

| Technical parameters | | | |
|----------------------|---|---------------------------|------|
| 1 | Nominal heat output | kW | 8 |
| 2 | Pressure required | Pa | 12 |
| 3 | Average efficiency | % | 77,5 |
| 4 | Average flue gas temperature | °C | 221 |
| 5 | Wood consumption | kg/h | 2,5 |
| 6 | Consumption of combustion air | m ³ /h | 24 |
| 7 | Emission of CO to 13% O ₂ | % | 0,1 |
| 8 | Flue gas mass flow | g/s | 10,7 |
| 9 | Weight | kg | 170 |
| 10 | Required min. cross section for circulating air - INPUT | cm ² | 250 |
| 11 | Required min. cross section for circulating air - OUTPUT | cm ² | 400 |
| 12 | Three-component insulated chimney - active height 5 m | Ø cm | 180 |
| 13 | Character of building construction with fireplace insert | warm air convection | yes |
| | | heat storage without conv | yes |



Test Method: ČSN EN 1322/A2:2007, FprEN16510-1, FprEN16510-2-2

Fireplace complies with the requirements: EN 13229, DIN +, Commission Regulation (EU) č. 2015/1185 Ecodesign requirements

KOBOK reserves the right to change dimensions and parameters described in these sheets. The current edition can be downloaded from www.KOBOK.sk