

Sizes		KAZETA 2R90 67 VD 695/450- S/500	KAZETA 2R90 67 VD 695/510- S/500
1	A	mm	680
2	F	mm	1010
3	C	mm	510
4	DN	Ø mm	180
5	B	mm	450
6	AZ	mm	695
7	R	mm	500
8	FF	mm	1350
9	H	mm	315
10	J	mm	325 + /160/
11	K	Ø mm	2 x 125
12	L	Ø mm	125
13	M	mm	20
14	N	mm	

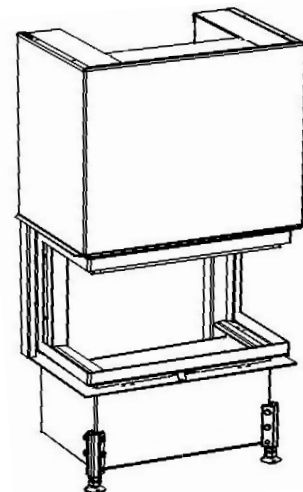
**Basic design:**

Segment chamotte lining  
 Glass Classic  
 Inox control grip-handle MO1, MP2  
 Enviromentally friendly varnish  
 External air inlet

**Optional accessories:**

Convectonal casing (DP)  
 External ashtray (VOP)  
 Lower hearth (ZO)  
 Black segm. chamotte lining (SOČ)  
 Vertical heat-storing panel (AZ)  
 Heat accumulation quadrant (APO)  
 Lava basket (KL)  
 Glass Reflex (SR)  
 Black printed glass(SM)  
 Cover frame removable

Technical parameters			
1	Nominal heat output	kW	8
2	Pressure required	Pa	12
3	Average efficiency	%	79,5
4	Average flue gas temperature	°C	208
5	Wood consuption	kg/h	2,5
6	Consumption of combustion air	m <sup>3</sup> /h	24
7	Emission of CO to 13% O2	%	0,1
8	Flue gas mass flow	g/s	9,7
9	Weight	kg	200
10	Required min. cross section for circulating air - INPUT	cm <sup>2</sup>	250
11	Required min. cross section for circulating air - OUTPUT	cm <sup>2</sup>	400
12	Three-component insulated chimney - active height 5 m	Ø cm	180
13	Character of building const-ruction with fireplace insert	warm air convection	yes
		heat storage without conv	no



Test Method: ČSN EN 1322/A2:2007, FprEN16510-1, FprEN16510-2-2

Fireplace complies with the requirements: EN 13229, DIN +, Commission Regulation (EU) č. 2015/1185Ecodesign requirements

KOBOK reserves the right to change dimensions and parameters described in these sheets. The current edition can be downloaded from www.KOBOK.sk