

Sizes		KAZETA 2R90 67 LD2 670/450- S/450	KAZETA 2R90 67 LD2 670/510- S/450
1	A	mm	670
2	F	mm	960
3	C	mm	465
4	DN	Ø mm	180
5	B	mm	450
6	V	mm	510
7	R	mm	450
8	AA	mm	
9	H	mm	
10	J	mm	325 + /160/
11	K	Ø mm	2 x 125
12	L	Ø mm	125
13	M	mm	
14	N	mm	50

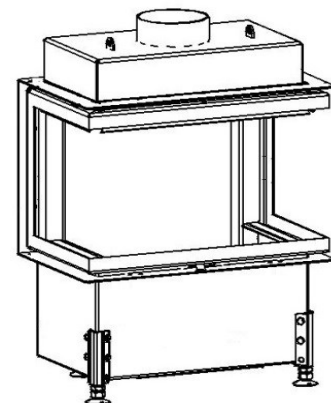
**Basic design:**

Segment chamotte lining  
 Glass Classic  
 Inox control grip-handle RP1A  
 Environmentally friendly varnish  
 External air inlet

**Optional accessories:**

Convictional casing (DP)  
 External ashtray (VOP)  
 Lower hearth (ZO)  
 Black segm. chamotte lining (SOČ)  
 Vertical heat-storing panel (AZ)  
 Heat accumulation quadrant (APO)  
 Lava basket (KL)  
 Glass Reflex (SR)  
 Black printed glass (SM)  
 Cover frame removable

Technical parameters			
1	Nominal heat output	kW	8
2	Pressure required	Pa	12
3	Average efficiency	%	79,5
4	Average flue gas temperature	°C	208
5	Wood consumption	kg/h	2,5
6	Consumption of combustion air	m <sup>3</sup> /h	24
7	Emission of CO to 13% O2	%	0,1
8	Flue gas mass flow	g/s	9,7
9	Weight	kg	160
10	Required min. cross section for circulating air - INPUT	cm <sup>2</sup>	250
11	Required min. cross section for circulating air - OUTPUT	cm <sup>2</sup>	400
12	Three-component insulated chimney - active height 5 m	Ø cm	160
13	Character of building construction	warm air convection	yes
	with fireplace insert	heat storage without conv	yes



Test Method: ČSN EN 1322/A2:2007, FprEN16510-1, FprEN16510-2-2

Fireplace complies with the requirements: EN 13229, DIN +, Commission Regulation (EU) č. 2015/1185 Ecodesign requirements

KOBOK reserves the right to change dimensions and parameters described in these sheets. The current edition can be downloaded from www.KOBOK.sk