

Sizes		KAZETA 2R90 60 VD 625/450- S/500	KAZETA 2R90 60 VD 625/510- S/500
1	A	mm	610
2	F	mm	1010
3	C	mm	510
4	DN	Ø mm	180
5	B	mm	510
6	AZ	mm	625
7	R	mm	500
8	FF	mm	1350
9	H	mm	315
10	J	mm	325 + /160/
11	K	Ø mm	2x125
12	L	Ø mm	125
13	M	mm	20
14	N	mm	

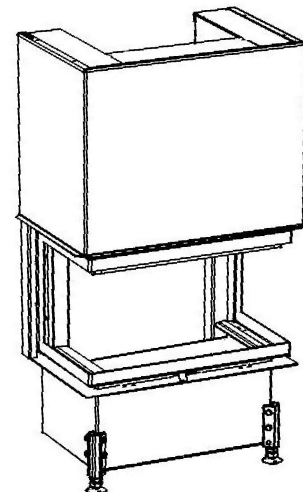
Basic design:

Segment chamotte lining
 Glass Classic
 Inox control grip-handle MO1, MP2
 Enviromentally friendly varnish
 External air inlet

Optional accessories:

Convectonal casing (DP)
 External ashtray (VOP)
 Lower hearth (ZO)
 Black segm. chamotte lining (SOČ)
 Vertical heat-storing panel (AZ)
 Heat accumulation quadrant (APO)
 Lava basket (KL)
 Glass Reflex (SR)
 Black printed glass(SM)
 Cover frame removable

Technical parameters			
1	Nominal heat output	kW	7
2	Pressure required	Pa	12
3	Average efficiency	%	81,4
4	Average flue gas temperature	°C	195
5	Wood consuption	kg/h	2,2
6	Consumption of combustion air	m ³ /h	21
7	Emission of CO to 13% O2	%	0,1
8	Flue gas mass flow	g/s	8,7
9	Weight	kg	185
10	Required min. cross section for circulating air - INPUT	cm ²	225
11	Required min. cross section for circulating air - OUTPUT	cm ²	350
12	Three-component insulated chimney - active height 5 m	Ø cm	160
13	Character of building const-ruction	warm air convection	yes
	with fireplace insert	heat storage without conv	no



Test Method: ČSN EN 1322/A2:2007, FprEN16510-1, FprEN16510-2-2

Fireplace complies with the requirements: EN 13229, DIN +, Commission Regulation (EU) č. 2015/1185Ecodesign requirements

KOBOK reserves the right to change dimensions and parameters described in these sheets. The current edition can be downloaded from www.KOBOK.sk