

Sizes		EKO O 60 VD 670/400	EKO O 60 VD 670/450
1	A	mm	670
2	F	mm	950
3	C	mm	460
4	DN	Ø mm	160
5	B	mm	400
6	V	mm	780
7	FF	mm	1330
8	AA	mm	600
9	H	mm	265
10	J	mm	350 + /100/
11	K	Ø mm	4x125
12	L	Ø mm	125
13	M	mm	20
14	N	mm	

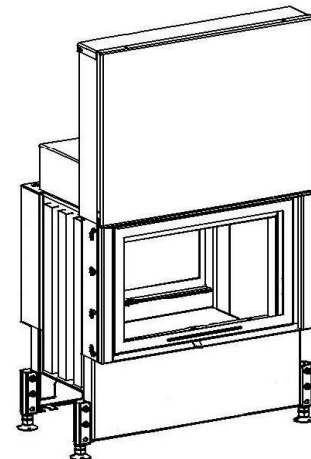
**Basic accessories:**

Thermodynamical hearth  
 Segmental chamotte lining  
 Glass classic  
 Inox door-handle RP1,RIRP1A,MO1,MP2  
 Coated with ecological paint

**Optional accessories:**

Convection casing (DP)  
 Vertical heat-storing panel (AZ)  
 Heat accumulation quadrant (APO)  
 Lava basket (KL)  
 Glass Reflex (SR)  
 Glass Modern (SM)  
 Cover frame (KR)

Technical parameters			
1	Nominal heat output	kW	9,5
2	Pressure required	Pa	12
3	Average efficiency	%	75,4
4	Average flue gas temperature	°C	258
5	Wood consuption	kg/h	3,2
6	Consumption of combustion air	m <sup>3</sup> /h	29
7	Emission of CO to 13% O2	%	0,1
8	Flue gas mass flow	g/s	12,5
9	Weight	kg	205
10	Required min. cross section for circulating air - INPUT	cm <sup>2</sup>	300
11	Required min. cross section for circulating air - OUTPUT	cm <sup>2</sup>	475
12	Three-component insulated chimney - active height 4 m	Ø cm	160
13	Character of building construction with fireplace insert	warm air convection	yes
		heat storage without conv	no



Test Method: ČSN EN 1322/A2:2007, FprEN16510-1, FprEN16510-2-2

Fireplace complies with the requirements: STN EN 13229, DIN +, BImSchV-Stufe 2, Commission Regulation (EU) č. 2015/1185 Ecodesign requirements

KOBOK reserves the right to change dimensions and parameters described in these sheets. The current edition can be downloaded from [www.KOBOK.sk](http://www.KOBOK.sk)