

Sizes		EKO 2R90 67 VD 695/400- S/450	EKO 2R90 67 VD 695/450- S/450
1	A	mm	680
2	F	mm	950
3	C	mm	450
4	DN	Ø mm	160
5	B	mm	400
6	AZ	mm	695
7	R	mm	450
8	FF	mm	1330
9	H	mm	265
10	J	mm	350 + /100/
11	K	Ø mm	2 x 125
12	L	Ø mm	125
13	M	mm	20
14	N	mm	

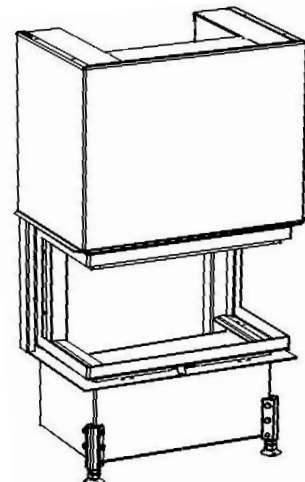
Basic accessories:

Thermodynamical hearth
 Segmental chamotte lining
 Glass classic
 Inox door - handle MO1, MP2
 Coated with ecological paint

Optional accessories:

Convection casing (DP)
 Vertical heat-storing panel (AZ)
 Heat accumulation quadrant (APO)
 Lava basket (KL)
 Glass Reflex (SR)
 Glass Modern (SM)
 Cover frame (KR)

Technical parameters			
1	Nominal heat output	kW	8
2	Pressure required	Pa	12
3	Average efficiency	%	77,5
4	Average flue gas temperature	°C	258
5	Wood consumption	kg/h	2,5
6	Consumption of combustion air	m ³ /h	24
7	Emission of CO to 13% O2	%	0,1
8	Flue gas mass flow	g/s	9,7
9	Weight	kg	215
10	Required min. cross section for circulating air - INPUT	cm ²	250
11	Required min. cross section for circulating air - OUTPUT	cm ²	400
12	Three-component insulated chimney - active height 4 m	Ø cm	160
13	Character of building construction with fireplace insert	warm air convection	ano
		heat storage without conv	nie



Test Method: ČSN EN 1322/A2:2007, FprEN16510-1, FprEN16510-2-2

Fireplace complies with the requirements: STN EN 13229, DIN +, BImSchV-Stufe 2, Commission Regulation (EU) č. 2015/1185 Ecodesign requirements

KOBOK reserves the right to change dimensions and parameters described in these sheets. The current edition can be downloaded from www.KOBOK.sk