

| Sizes | | EKO 2R90 67 LD 670/400- S/400 | EKO 2R90 67 LD 670/450- S/400 |
|-------|----|-------------------------------------|-------------------------------------|
| 1 | A | mm | 670 |
| 2 | F | mm | 915 |
| 3 | C | mm | 415 |
| 4 | DN | Ø mm | 160 |
| 5 | B | mm | 400 |
| 6 | V | mm | |
| 7 | R | mm | 400 |
| 8 | AA | mm | |
| 9 | H | mm | |
| 10 | J | mm | 350 + /100/ |
| 11 | K | Ø mm | 2 x 125 |
| 12 | L | Ø mm | 125 |
| 13 | M | mm | |
| 14 | N | mm | 50 |

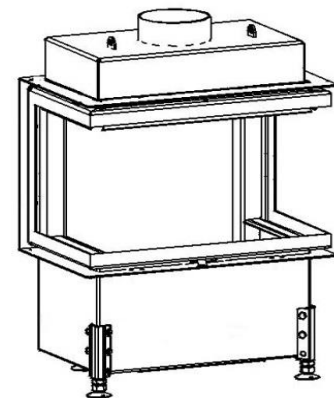
Basic accessories:

Thermodynamical hearth
Segmental chamotte lining
Glass classic
Inox door-handle RP1A
Coated with ecological paint

Optional accessories:

Convection casing (DP)
Vertical heat-storing panel (AZ)
Heat accumulation quadrant (APO)
Lava basket (KL)
Glass Reflex (SR)
Glass Modern (SM)
Cover frame (KR)
Divided door (LD2)

| Technical parameters | | | |
|----------------------|--|---------------------------|------|
| 1 | Nominal heat output | kW | 8 |
| 2 | Pressure required | Pa | 12 |
| 3 | Average efficiency | % | 77,5 |
| 4 | Average flue gas temperature | °C | 258 |
| 5 | Wood consuption | kg/h | 2,5 |
| 6 | Consumption of combustion air | m ³ /h | 24 |
| 7 | Emission of CO to 13% O2 | % | 0,1 |
| 8 | Flue gas mass flow | g/s | 9,7 |
| 9 | Weight | kg | 160 |
| 10 | Required min. cross section for circulating air - INPUT | cm ² | 250 |
| 11 | Required min. cross section for circulating air - OUTPUT | cm ² | 400 |
| 12 | Three-component insulated chimney - active height 4 m | Ø cm | 160 |
| 13 | Character of building construction with fireplace insert | warm air convection | yes |
| | | heat storage without conv | yes |



Test Method: ČSN EN 1322/A2:2007, FprEN16510-1, FprEN16510-2-2

Fireplace complies with the requirements: STN EN 13229, DIN +, BlmSchV-Stufe 2, Commission Regulation (EU) č. 2015/1185 Ecodesign requirements

KOBOK reserves the right to change dimensions and parameters described in these sheets. The current edition can be downloaded from www.KOBOK.sk