

Sizes		CHOPOK R550 78 LD 780/570	
1	A	mm	780
2	F	mm	1320
3	C	mm	535
4	DN	Ø mm	200
5	B	mm	570
6	OR	mm	570
7	E	mm	155
8	AA	mm	
9	V	mm	840
10	J	mm	325 + /160/
11	K	Ø mm	4x125
12	L	Ø mm	125
13	M	mm	
14	N	mm	50


Basic design:

Thermodynamic Hearth
 Segment chamotte lining (SO)
 Glass Classic
 Inox control grip-handle RP2
 Environmentally friendly varnish

Technical parameters			
1	Nominal heat output	kW	11,0
2	Pressure required	Pa	12
3	Average efficiency	%	77,9
4	Average flue gas temperature	°C	268
5	Wood consuption	kg/h	3,5
6	Consumption of combustion air	m3/h	33
7	Emission of CO to 13% O2	%	0,1
8	Flue gas mass flow	g/s	11,6
9	Weight	kg	210
10	Required min. cross section for circulating air - INPUT	cm ²	350
11	Required min. cross section for circulating air - OUTPUT	cm ²	550
12	Three-component insulated chimney - active height 5 m	Ø cm	180
13	Character of building construction with fireplace insert	warm air convection	Yes
		heat storage without conv	Yes

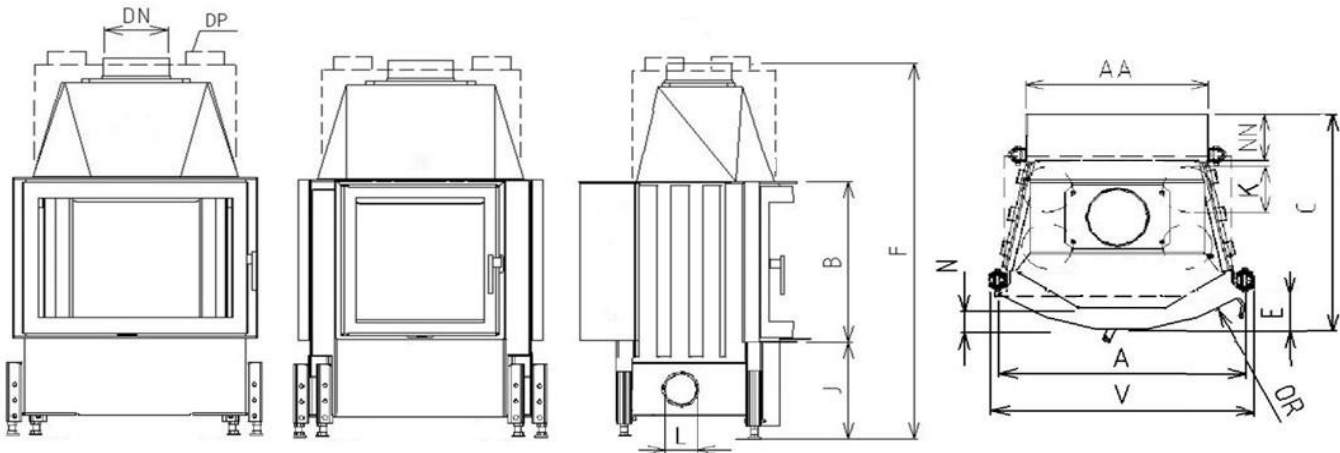
Optional accessories:

Cover frame (KR)
 External ashtray (VOP)
 Lower hearth (ZO)
 Convectional casing (DP)
 Rear feeding door (PD)
 Vertical heat-storing panel (AZ)
 Heat accumulation quadrant (APO)

Test Method: ČSN EN 1322/A2:2007, FprEN16510-1, FprEN16510-2-2

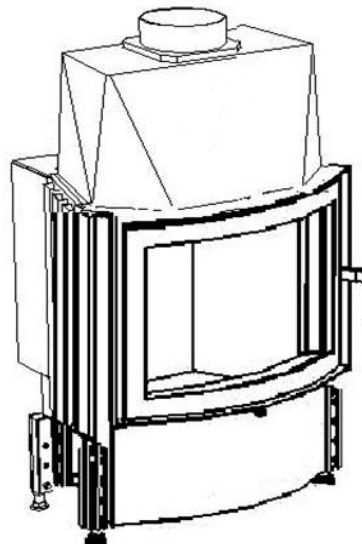
Fireplace complies with the requirements: EN 13229, DIN +, BlmSchV-Stufe 2, Commission Regulation (EU) č. 2015/1185 Ecodesign requirements

KOBOK reserves the right to change dimensions and parameters described in these sheets. The current edition can be downloaded from www.KOBOK.sk



combustion air inlet

Sizes			CHOPOK R550 78 LD 780/570 PD 580/570
1	A	mm	780
2	F	mm	1320
3	C	mm	570
4	DN	Ø mm	200
5	B	mm	570
6	OR	mm	570
7	E	mm	155
8	AA	mm	580
9	V	mm	840
10	J	mm	325 + /160/
11	K	Ø mm	4x125
12	L	Ø mm	125
13	NN	mm	70
14	N	mm	50


Basic design:

Thermodynamic Hearth
 Segment chamotte lining (SO)
 Glass Classic
 Inox control grip-handle RP2
 Enviromentally friendly varnish

Technical parameters			
1	Nominal heat output	kW	11,0
2	Pressure required	Pa	12
3	Average efficiency	%	77,9
4	Average flue gas temperature	°C	268
5	Wood consuption	kg/h	3,5
6	Consumption of combustion air	m3/h	33
7	Emission of CO to 13% O2	%	0,1
8	Flue gas mass flow	g/s	11,6
9	Weight	kg	240
10	Required min. cross section for circulating air - INPUT	cm ²	350
11	Required min. cross section for circulating air - OUTPUT	cm ²	550
12	Three-component insulated chimney - active height 6 m	Ø cm	180
13	Character of building construction with fireplace insert	warm air convection	Yes
		heat storage without conv	Yes

Optional accessories:

Cover frame (KR)
 External ashtray (VOP)
 Lower hearth (ZO)
 Convectional casing (DP)
 Vertical heat-storing panel (AZ)
 Heat accumulation quadrant (APO)

Test Method: ČSN EN 1322/A2:2007, FprEN16510-1, FprEN16510-2-2

Fireplace complies with the requirements: EN 13229, DIN +, BlmSchV-Stufe 2, Commission Regulation (EU) č. 2015/1185 Ecodesign requirements

KOBOK reserves the right to change dimensions and parameters described in these sheets. The current edition can be downloaded from www.KOBOK.sk