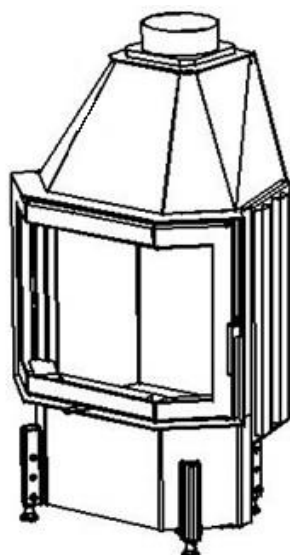


Sizes		CHOPOK P 67 LD 670/510	
1	A	mm	670
2	F	mm	1210
3	C	mm	505
4	DN	Ø mm	180
5	B	mm	510
6	OR	mm	
7	E	mm	145
8	AA	mm	
9	V	mm	
10	J	mm	325 + /160/
11	K	Ø mm	4x125
12	L	Ø mm	125
13	M	mm	
14	N	mm	50


Basic design:

Thermodynamic Hearth
 Segment chamotte lining (SO)
 Glass Classic
 Inox control grip-handle RP2
 Enviromentally friendly varnish

Technical parameters			
1	Nominal heat output	kW	10,0
2	Pressure required	Pa	12
3	Average efficiency	%	77,9
4	Average flue gas temperature	°C	265
5	Wood consupcion	kg/h	3,2
6	Consumption of combustion air	m ³ /h	30
7	Emission of CO to 13% O ₂	%	0,1
8	Flue gas mass flow	g/s	10
9	Weight	kg	180
10	Required min. cross section for circulating air - INPUT	cm ²	300
11	Required min. cross section for circulating air - OUTPUT	cm ²	500
12	Three-component insulated chimney - active height 5 m	Ø cm	180
13	Character of building construction with fireplace insert	warm air convection	Yes
		heat storage without conv	Yes

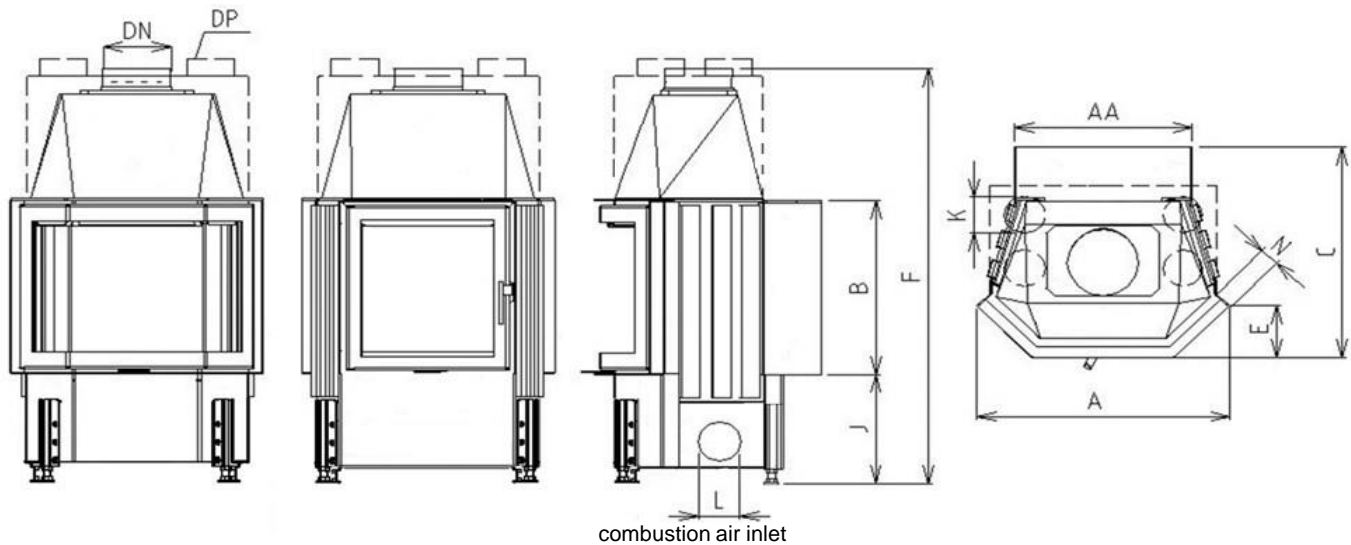
Optional accessories:

Cover frame (KR)
 External ashtray (VOP)
 Lower hearth (ZO)
 Convectional casing (DP)
 Rear feeding door (PD)
 Vertical heat-storing panel (AZ)
 Heat accumulation quadrant (APO)

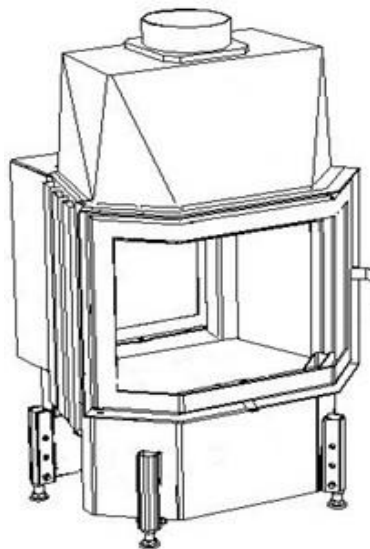
Test Method: ČSN EN 1322/A2:2007, FprEN16510-1, FprEN16510-2-2

Fireplace complies with the requirements: EN 13229, DIN +, BlmSchV-Stufe 2, Commission Regulation (EU) č. 2015/1185 Ecodesign requirements

KOBOK reserves the right to change dimensions and parameters described in these sheets. The current edition can be downloaded from www.KOBOK.sk



Sizes		CHOPOK P 67 LD 670/510 PD 470/510	
1	A	mm	670
2	F	mm	1210
3	C	mm	550
4	DN	Ø mm	180
5	B	mm	510
6	OR	mm	
7	E	mm	145
8	AA	mm	470
9	H	mm	
10	J	mm	325 + /160/
11	K	Ø mm	4x125
12	L	Ø mm	125
13	NN	mm	70
14	N	mm	50


Basic design:

Thermodynamic Hearth
 Segment chamotte lining (SO)
 Glass Classic
 Inox control grip-handle RP2
 Environmentally friendly varnish

Technical parameters			
1	Nominal heat output	kW	10,0
2	Pressure required	Pa	12
3	Average efficiency	%	77,9
4	Average flue gas temperature	°C	265
5	Wood consumption	kg/h	3,2
6	Consumption of combustion air	m ³ /h	30
7	Emission of CO to 13% O ₂	%	0,1
8	Flue gas mass flow	g/s	10
9	Weight	kg	210
10	Required min. cross section for circulating air - INPUT	cm ²	300
11	Required min. cross section for circulating air - OUTPUT	cm ²	500
12	Three-component insulated chimney - active height 4 m	Ø cm	180
13	Character of building construction with fireplace insert	warm air convection	Yes
		heat storage without conv	Yes

Optional accessories:

Cover frame (KR)
 External ashtray (VOP)
 Lower hearth (ZO)
 Convective casing (DP)
 Vertical heat-storing panel (AZ)
 Heat accumulation quadrant (APO)

Test Method: ČSN EN 1322/A2:2007, FprEN16510-1, FprEN16510-2-2

Fireplace complies with the requirements: EN 13229, DIN +, BlmSchV-Stufe 2, Commission Regulation (EU) č. 2015/1185 Ecodesign requirements

KOBOK reserves the right to change dimensions and parameters described in these sheets. The current edition can be downloaded from www.KOBOK.sk