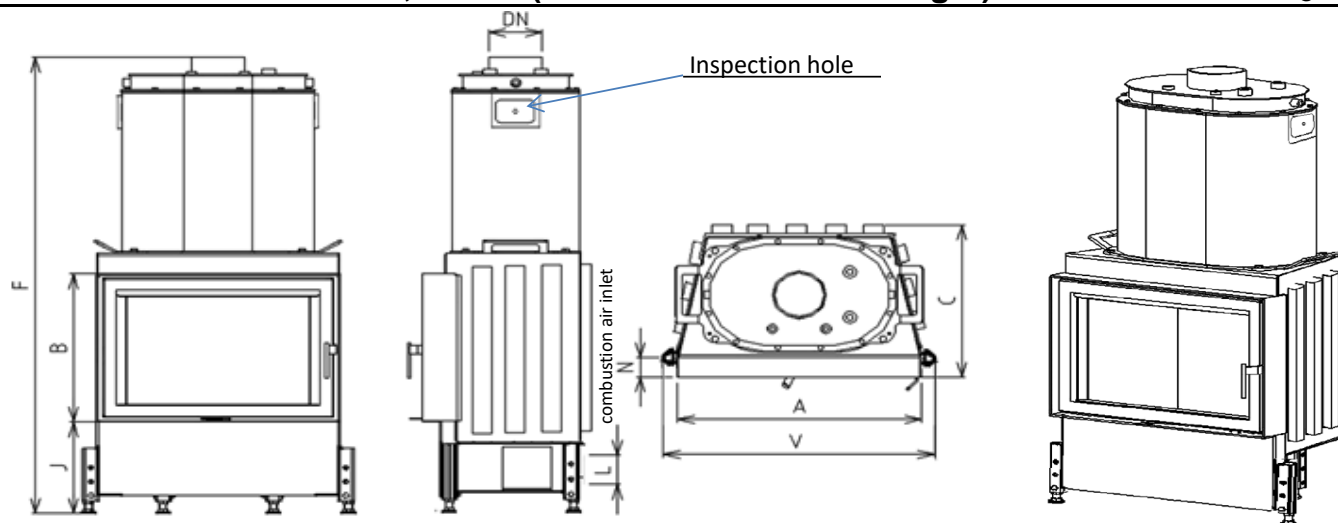


**CHOPOK L 84 LD 840/450,510 TV (warm water heat exchanger)**

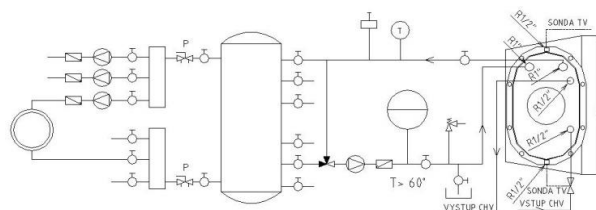
Range 84



Sizes			CHOPOK L 84 LD 840/450 TV	CHOPOK L 84 LD 840/510 TV
1	A	mm	840	
2	F	mm	1425	1485
3	C	mm	535	
4	DN	Ø mm	180	
5	B	mm	450	510
6	V	mm	950	
7	J	mm	325 + /160/	
8	L	Ø mm	125	
9	N	mm	50	
10	FF	mm		
11	M	mm		
12	H	mm		

**Basic design:**

Thermodynamic Hearth  
 Seg. chamotte lining  
 Glass Classic  
 Inox control grip-handle RP2  
 Enviromentally friendly varnish  
 Inspection hole side



Technical parameters			
1	Nominal heat output	kW	15
2	Nominal heat output do vody	kW	7,7
3	Water volume in heat exchanger	l	20
4	Pressure required	Pa	12
5	Maximum operating pressure	bar	2,5
6	Average efficiency	%	84,3
7	Average flue gas temperature	°C	178
8	Wood consupcion	kg/h	4,5
9	Consumption of combustion air	m <sup>3</sup> /h	45,0
10	Emission of CO to 13% O2	%	0,12
11	Flue gas mass flow	g/s	16,4
12	Weight	kg	390
13	Required min. cross section for circulating air - INPUT	cm <sup>2</sup>	225
14	Required min. cross section for circulating air - OUTPUT	cm <sup>2</sup>	375
15	Three-component insulated chimney - active height 5 m	Ø cm	180
16	Character of building construction with fireplace insert	warm air convection	Yes
		heat storage without conv	No

**Optional accessories:**

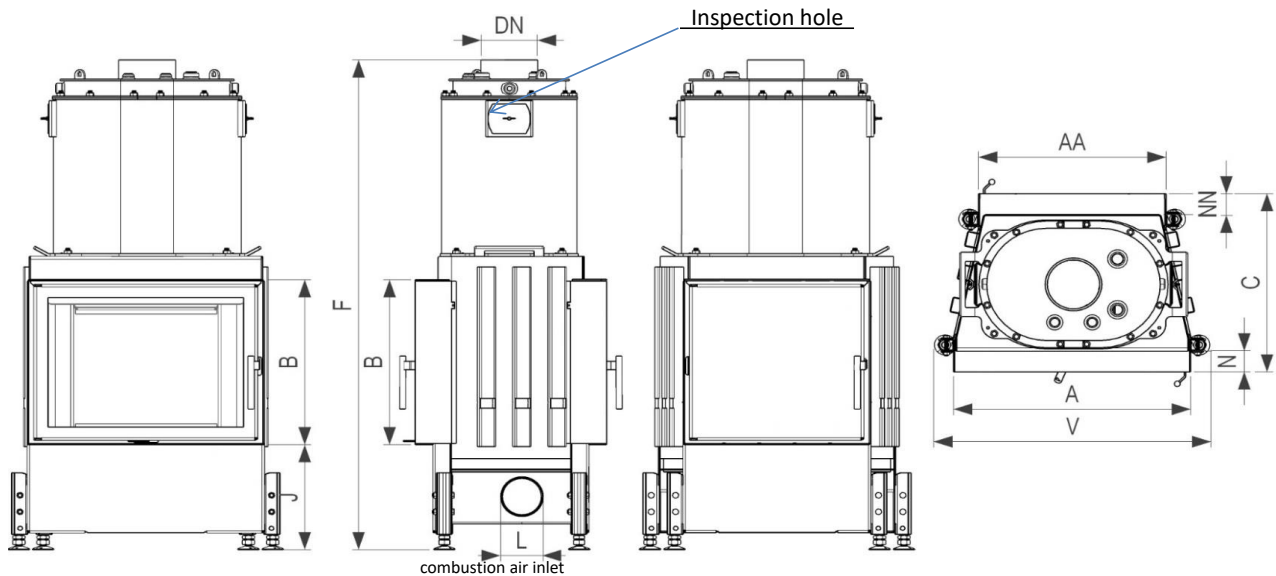
Cover frame (KR)  
 Glass Reflex (SR)  
 Black printed glass(SM)  
 Black printed glass Reflex (SMR)  
 External ashtray (VOP)  
 Lift up door (VD)  
 Vertical heat-storing panel (AZ)  
 Inspection hole front, rear  
 Rear feeding door (PD)

No

Test Method: ČSN EN 1322/A2:2007, FprEN16510-1, FprEN16510-2-2

Fireplace complies with the requirements: EN 13229, DIN +, BlmSchV-Stufe 2, Commission Regulation (EU) č. 2015/1185 Ecodesign requirements

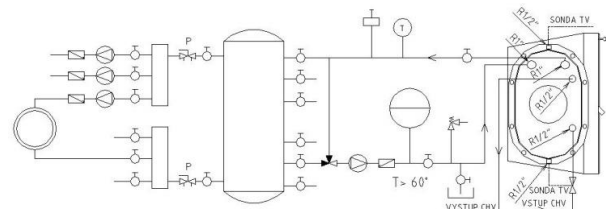
KOBOK reserves the right to change dimensions and parameters described in these sheets. The current edition can be downloaded from www.KOBOK.sk



Sizes			CHOPOK L 84 LD 840/450 TV PD 650/450	CHOPOK L 84 LD 840/510 TV PD 650/510
1	A	mm	840	
2	F	mm	1425	1485
3	C	mm	570	
4	DN	Ø mm	180	
5	B	mm	450	510
6	V	mm	950	
7	J	mm	325 + /160/	
8	L	Ø mm	125	
9	N	mm	50	
10	FF	mm		
11	AA	mm	650	
12	NN	mm	70	
13	M	mm		
14	H	mm		

### Basic design

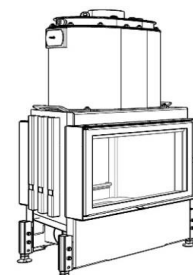
Thermodynamic Hearth  
 Seg. chamotte lining  
 Glass Classic  
 Inox control grip-handle RP2  
 Enviromentally friendly varnish  
 Inspection hole side



Technical parameters			
1	Nominal heat output	kW	15
2	Nominal heat output do vody	kW	7,7
3	Water volume in heat exchanger	l	20
4	Pressure required	Pa	12
5	Maximum operating pressure	bar	2,5
6	Average efficiency	%	84,3
7	Average flue gas temperature	°C	178
8	Wood consupcion	kg/h	4,5
9	Consumption of combustion air	m3/h	45,0
10	Emission of CO to 13% O2	%	0,12
11	Flue gas mass flow	g/s	16,4
12	Weight	kg	400
13	Required min. cross section for circulating air - INPUT	cm <sup>2</sup>	225
14	Required min. cross section for circulating air - OUTPUT	cm <sup>2</sup>	375
15	Three-component insulated chimney - active height 6 m	Ø cm	180
16	Character of building const-ruccion with fireplace insert	warm air convection	Yes
		heat storage without conv	No

### Optional accessories:

Cover frame (KR)  
 Glass Reflex (SR)  
 Black printed glass(SM)  
 Black printed glass Reflex (SMR)  
 External ashtray (VOP)  
 Lift up door (VD)  
 Vertical heat-storing panel (AZ)  
 Inspection hole front, rear  
 Rear feeding door glass (PDS)



Test Method: ČSN EN 1322/A2:2007, FprEN16510-1, FprEN16510-2-2

Fireplace complies with the requirements: EN 13229, DIN +, BImSchV-Stufe 2, Commission Regulation (EU) č. 2015/1185 Ecodesign requirements

KOBOK reserves the right to change dimensions and parameters described in these sheets. The current edition can be downloaded from [www.KOBOK.sk](http://www.KOBOK.sk)