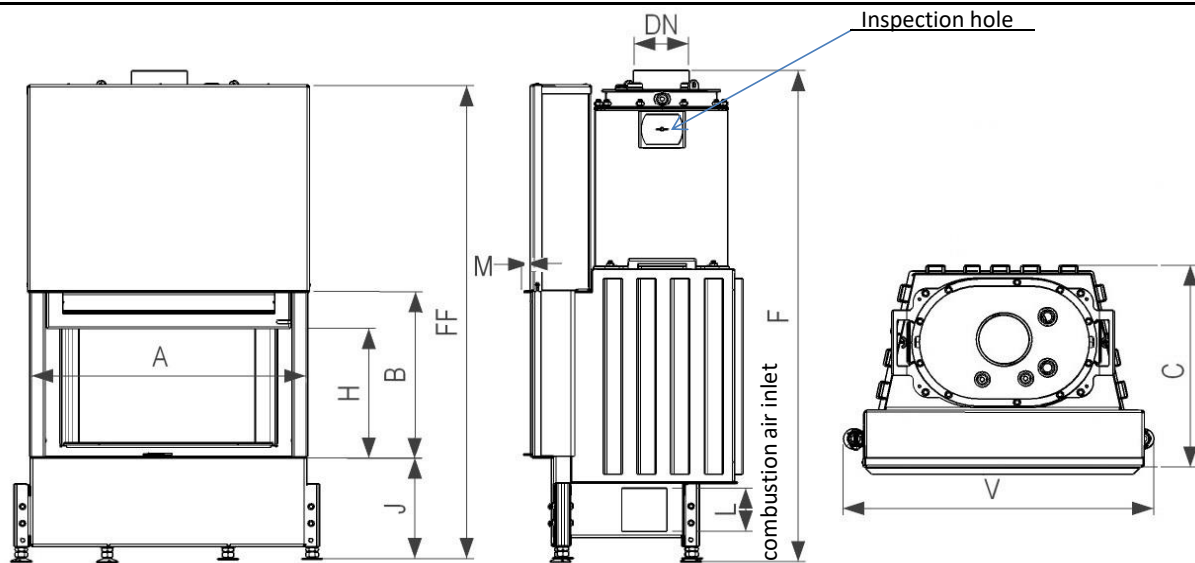
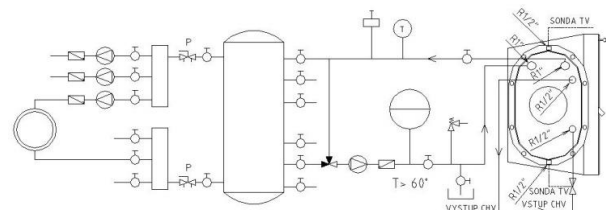


**CHOPOK L 78 VD 850/450,510 TV**


	Sizes		CHOPOK L 78 VD 850/450 TV	CHOPOK L 78 VD 850/510 TV
	1	A	mm	850
2	F	mm	1425	1485
3	C	mm	610	
4	DN	Ø mm	180	
5	B	mm	450	510
6	V	mm	960	
7	J	mm	325 + /160/	
8	L	Ø mm	125	
9	N	mm		
10	FF	mm	1390	1450
11	AA	mm		
12	NN	mm		
13	M	mm	20	
14	H	mm	315	375

**Basic design:**

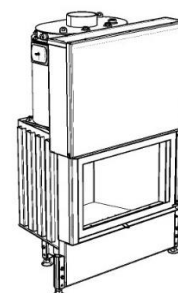
Thermodynamic Hearth  
 Seg. chamotte lining  
 Glass Classic  
 Inox control grip-handle RP2  
 Enviromentally friendly varnish  
 Inspection hole side



Technical parameters			
1	Nominal heat output	kW	14,5
2	Nominal heat output do vody	kW	7,3
3	Water volume in heat exchanger	l	20
4	Pressure required	Pa	12
5	Maximum operating pressure	bar	2,5
6	Average efficiency	%	84,2
7	Average flue gas temperature	°C	175
8	Wood consuption	kg/h	4,1
9	Consumption of combustion air	m3/h	43,5
10	Emission of CO to 13% O2	%	0,12
11	Flue gas mass flow	g/s	15,5
12	Weight	kg	430
13	Required min. cross section for circulating air - INPUT	cm <sup>2</sup>	225
14	Required min. cross section for circulating air - OUTPUT	cm <sup>2</sup>	375
15	Three-component insulated chimney - active height 6 m	Ø cm	180
16	Character of building const-ruction with fireplace insert	warm air convection	Yes
		heat storage without conv	No

**Optional accessories:**

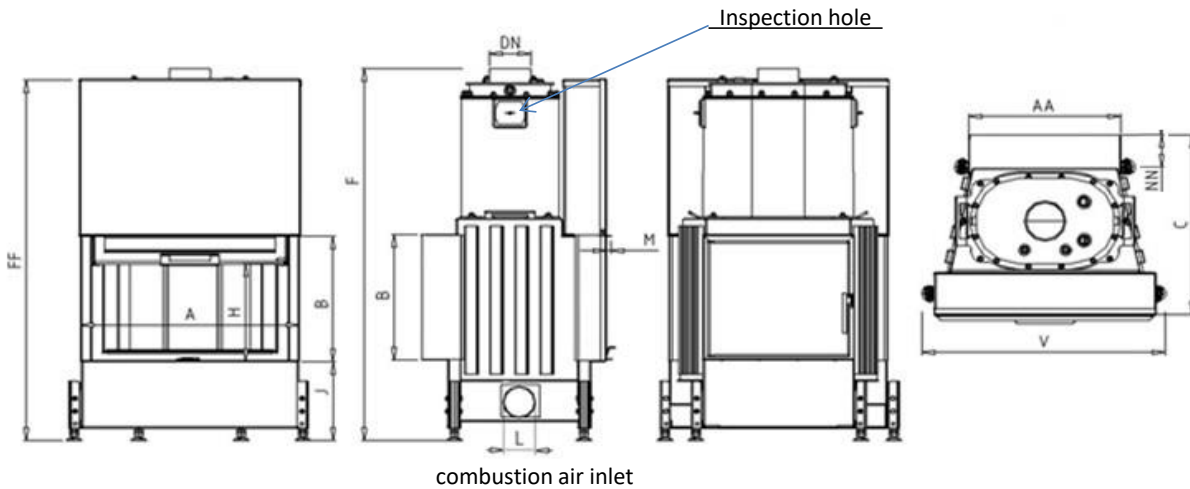
Cover frame (KR)  
 Glass Reflex (SR)  
 Black printed glass(SM)  
 Black printed glass Reflex (SMR)  
 External ashtray (VOP)  
 Vertical heat-storing panel (AZ)  
 Inspection hole front, rear  
 Rear feeding door (PD)



Test Method: ČSN EN 1322/A2:2007, FprEN16510-1, FprEN16510-2-2

Fireplace complies with the requirements: EN 13229, DIN +, BlmSchV-Stufe 2, Commission Regulation (EU) č. 2015/1185 Ecodesign requirements

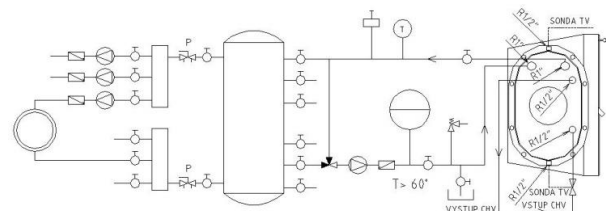
KOBOK reserves the right to change dimensions and parameters described in these sheets. The current edition can be downloaded from www.KOBOK.sk



Sizes		CHOPOK L 78 VD 850/450 TV PD 590/450	CHOPOK L 78 VD 850/510 TV PD 590/510
1	A	mm	850
2	F	mm	1425
3	C	mm	655
4	DN	Ø mm	180
5	B	mm	450
6	V	mm	960
7	J	mm	325 + /160/
8	L	Ø mm	125
9	N	mm	
10	FF	mm	1390
11	AA	mm	590
12	NN	mm	70
13	M	mm	20
14	H	mm	315

**Basic design:**

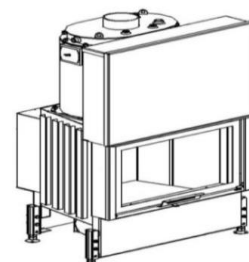
Thermodynamic Hearth  
 Seg. Chamotte lining  
 Glass Classic  
 Inox control grip-handle RP2 (MP2)  
 Enviromentally friendly varnish  
 Inspection hole side



Technical parameters			
1	Nominal heat output	kW	14,5
2	Nominal heat output do vody	kW	7,3
3	Water volume in heat exchanger	l	20
4	Pressure required	Pa	12
5	Maximum operating pressure	bar	2,5
6	Average efficiency	%	84,2
7	Average flue gas temperature	°C	175
8	Wood consuption	kg/h	4,1
9	Consumption of combustion air	m <sup>3</sup> /h	43,5
10	Emission of CO to 13% O <sub>2</sub>	%	0,12
11	Flue gas mass flow	g/s	15,5
12	Weight	kg	395
13	Required min. cross section for circulating air - INPUT	cm <sup>2</sup>	225
14	Required min. cross section for circulating air - OUTPUT	cm <sup>2</sup>	375
15	Three-component insulated chimney - active height 6 m	Ø cm	180
16	Character of building const-ruction with fireplace insert	warm air convection	Yes
		heat storage without conv	No

**Optional accessories:**

Cover frame (KR)  
 Glass Reflex (SR)  
 Black printed glass(SM)  
 Black printed glass Reflex (SMR)  
 External ashtray (VOP)  
 Vertical heat-storing panel (AZ)  
 Inspection hole front, rear  
 Rear feeding door with glass (PDS)



Test Method: ČSN EN 1322/A2:2007, FprEN16510-1, FprEN16510-2-2

Fireplace complies with the requirements: EN 13229, DIN +, BlmSchV-Stufe 2, Commission Regulation (EU) č. 2015/1185 Ecodesign requirements

KOBOK reserves the right to change dimensions and parameters described in these sheets. The current edition can be downloaded from www.KOBOK.sk