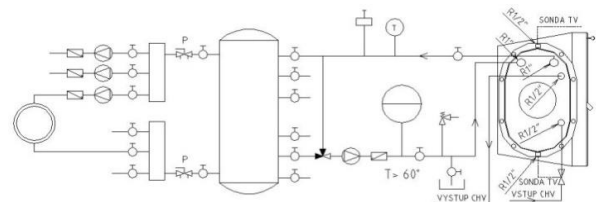


Sizes		CHOPOK L 60 VD 670/450 TV	CHOPOK L 60 VD 670/510 TV	
1	A	mm	670	
2	F	mm	1425	1485
3	C	mm	610	
4	DN	Ø mm	180	
5	B	mm	450	510
6	V	mm	780	
7	J	mm	325 + /160/	
8	L	Ø mm	125	
9	N	mm		
10	FF	mm	1390	1450
11	AA	mm		
12	NN	mm		
13	M	mm	20	
14	H	mm	315	375

Basic design:

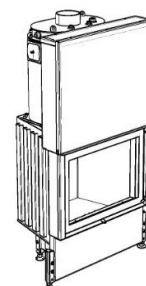
- Thermodynamic Hearth
- Seg. chamotte lining
- Glass Classic
- Inox control grip-handle RP2
- Environmentally friendly varnish
- Inspection hole side



Technical parameters			
1	Nominal heat output	kW	10
2	Nominal heat output do vody	kW	4,4
3	Water volume in heat exchanger	l	18
4	Pressure required	Pa	12
5	Maximum operating pressure	bar	2,5
6	Average efficiency	%	88,2
7	Average flue gas temperature	°C	155
8	Wood consumption	kg/h	2,8
9	Consumption of combustion air	m ³ /h	47,1
10	Emission of CO to 13% O ₂	%	0,1
11	Flue gas mass flow	g/s	8,2
12	Weight	kg	340
13	Required min. cross section for circulating air - INPUT	cm ²	250
14	Required min. cross section for circulating air - OUTPUT	cm ²	400
15	Three-component insulated chimney - active height 6 m	Ø cm	160
16	Character of building construction with fireplace insert	warm air convection	Yes
		heat storage without conv	No

Optional accessories:

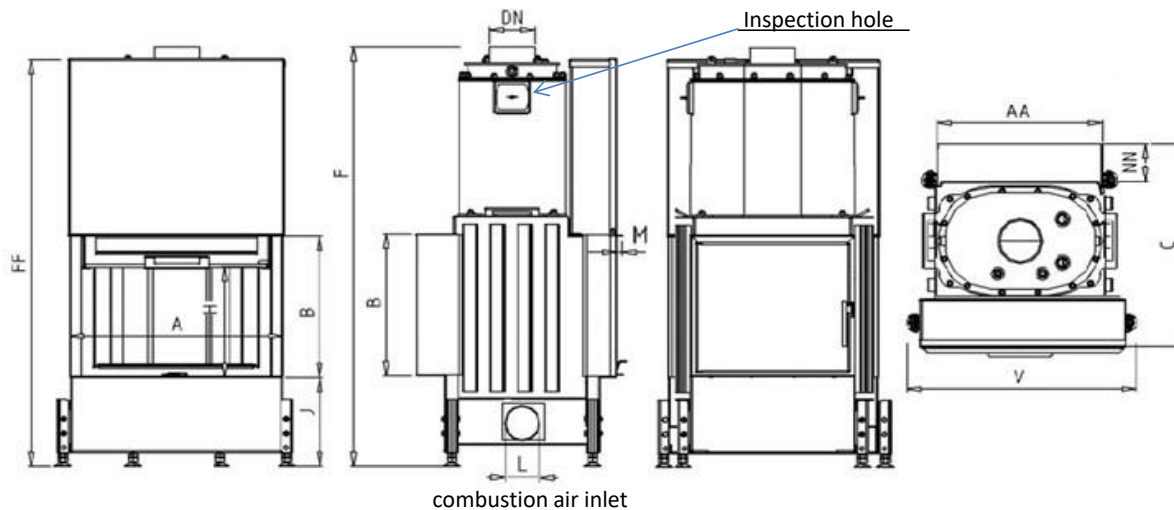
- Cover frame (KR)
- Glass Reflex (SR)
- Black printed glass (SM)
- Black printed glass Reflex (SMR)
- External ashtray (VOP)
- Vertical heat-storing panel (AZ)
- Inspection hole front, rear
- Rear feeding door (PD)



Test Method: ČSN EN 1322/A2:2007, FprEN16510-1, FprEN16510-2-2

Fireplace complies with the requirements: EN 13229, DIN +, BlmSchV-Stufe 2, Commission Regulation (EU) č. 2015/1185 Ecodesign requirements

 KOBOK reserves the right to change dimensions and parameters described in these sheets. The current edition can be downloaded from www.KOBOK.sk

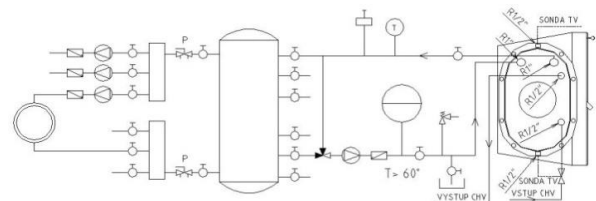


combustion air inlet

Sizes		CHOPOK L 60 VD 670/450 TV PD 600/450	CHOPOK L 60 VD 670/510 TV PD 600/510	
1	A	mm	670	
2	F	mm	1425	1485
3	C	mm	655	
4	DN	Ø mm	180	
5	B	mm	450	510
6	V	mm	780	
7	J	mm	325 + /160/	
8	L	Ø mm	125	
9	N	mm		
10	FF	mm	1390	1450
11	AA	mm	600	
12	NN	mm	70	
13	M	mm	20	
14	H	mm	315	375

Basic design:

Thermodynamic Hearth
 Seg. Chamotte lining
 Glass Classic
 Inox control grip-handle RP2 (MP2)
 Environmentally friendly varnish
 Inspection hole side



Technical parameters			
1	Nominal heat output	kW	10
2	Nominal heat output do vody	kW	4,4
3	Water volume in heat exchanger	l	18
4	Pressure required	Pa	12
5	Maximum operating pressure	bar	2,5
6	Average efficiency	%	88,2
7	Average flue gas temperature	°C	155
8	Wood consuption	kg/h	2,8
9	Consumption of combustion air	m3/h	47,1
10	Emission of CO to 13% O2	%	0,1
11	Flue gas mass flow	g/s	8,2
12	Weight	kg	320
13	Required min. cross section for circulating air - INPUT	cm 2	250
14	Required min. cross section for circulating air - OUTPUT	cm 2	400
15	Three-component insulated chimney - active height 6 m	Ø cm	160
16	Character of building construction with fireplace insert	warm air convection	Yes
		heat storage without conv	No

Optional accessories:

Cover frame (KR)
 Glass Reflex (SR)
 Black printed glass (SM)
 Black printed glass Reflex (SMR)
 External ashtray (VOP)
 Vertical heat-storing panel (AZ)
 Inspection hole front, rear
 Rear feeding door with glass (PDS)

