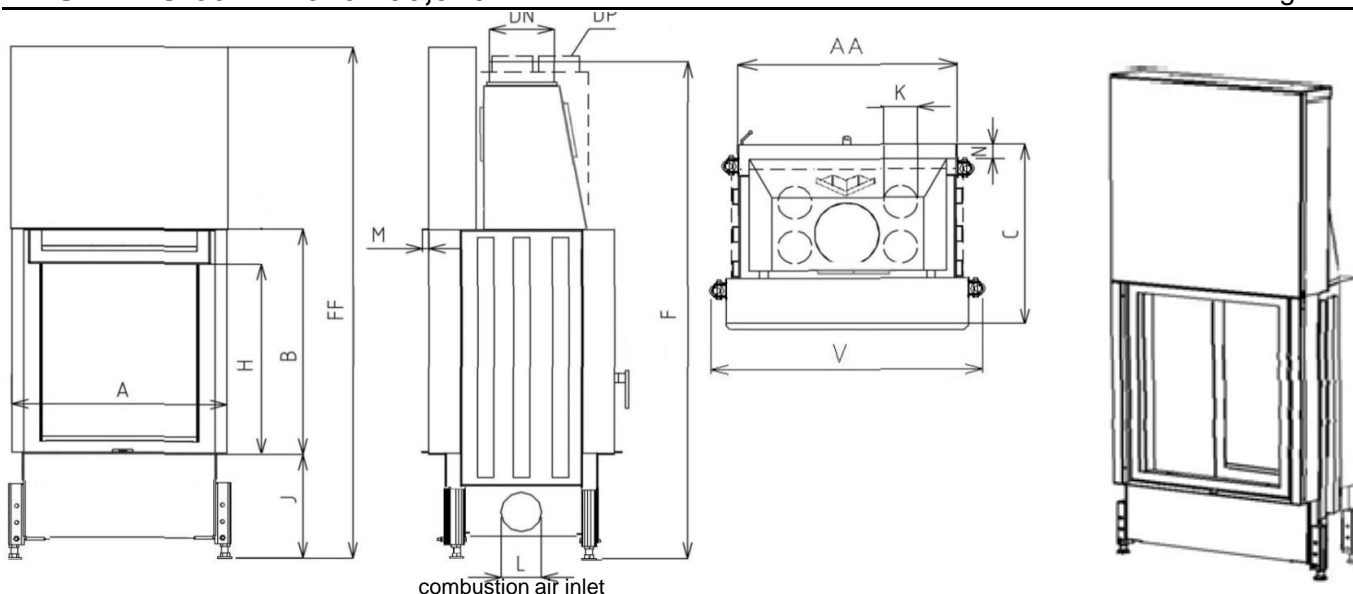


BYSTRÁ O 60 VD 670/790,910

Range 60



Sizes		BYSTRÁ O 60 VD 670/790	BYSTRÁ O 60 VD 670/910
1	A	mm	670
2	F	mm	1600
3	C	mm	580
4	DN	Ø mm	200
5	B	mm	790
6	FF	mm	1870
7	V	mm	780
8	AA	mm	600
9	H	mm	455
10	J	mm	325 + /160/
11	K	Ø mm	4x125
12	L	Ø mm	125
13	M	mm	20
14	N	mm	50

Basic design:

Thermodynamic Hearth
 Segment chamotte lining SO
 Glass Classic
 Inox control grip-handle MP2, RP2
 1 x VD, 1 x LD
 Environmentally friendly varnish

Technical parameters			
1	Nominal heat output	kW	12,5
2	Pressure required	Pa	12
3	Average efficiency	%	76,8
4	Average flue gas temperature	°C	271
5	Wood consumption	kg/h	3,9
6	Consumption of combustion air	m ³ /h	37,5
7	Emission of CO to 13% O ₂	%	0,1
8	Flue gas mass flow	g/s	13,8
9	Weight	kg	350
10	Required min. cross section for circulating air - INPUT	cm ²	375
11	Required min. cross section for circulating air - OUTPUT	cm ²	625
12	Three-component insulated chimney - active height 7 m	Ø cm	180
13	Character of building construction with fireplace insert	warm air convection	Yes
		heat storage without conv	No

Optional accessories:

Cover frame (KR)
 Glass Reflex (SR)
 Black printed glass(SM)
 External ashtray (VOP)
 Lower hearth (ZO)
 Convectional casing (DP)
 Rear feeding door (DPS,DPSO)
 Vertical heat-storing panel (AZ)
 Lift up door (2xVD)

Test Method: ČSN EN 1322/A2:2007, FprEN16510-1, FprEN16510-2-2

Fireplace complies with the requirements: EN 13229, DIN +, BImSchV-Stufe 2, Commission Regulation (EU) č. 2015/1185 Ecodesign requirements

KOBOK reserves the right to change dimensions and parameters described in these sheets. The current edition can be downloaded from www.KOBOK.sk