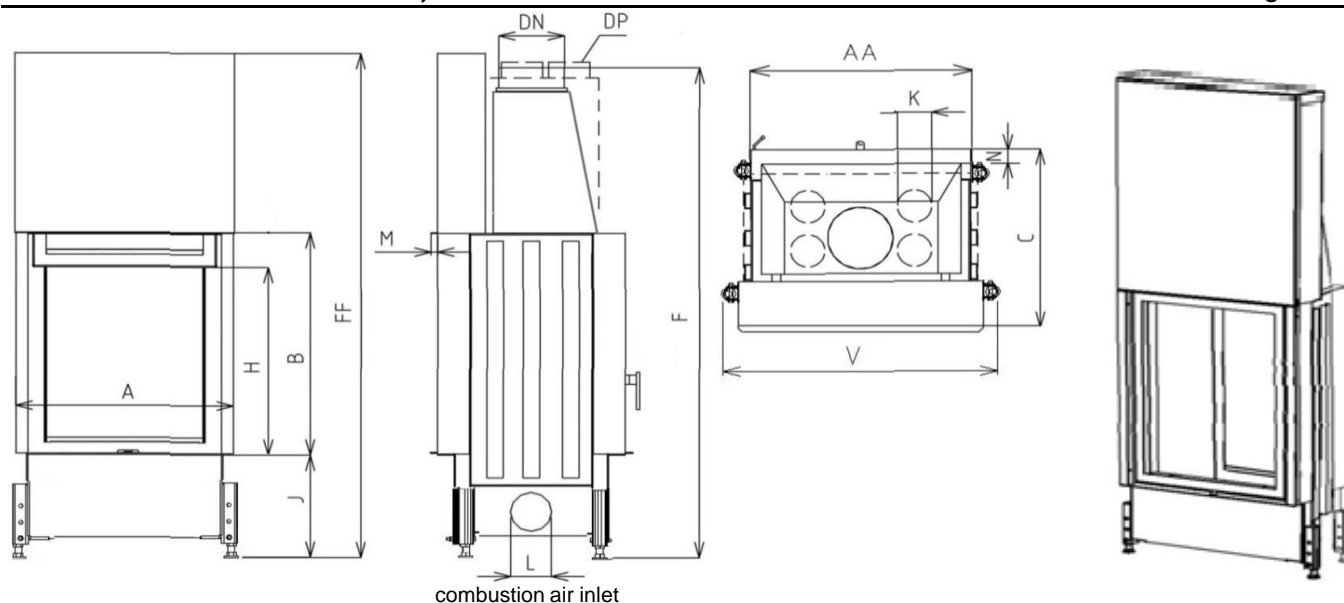


**BYSTRÁ O 55 VD 620/670,790**

Range 55



Sizes			BYSTRÁ O 55 VD 620/670	BYSTRÁ O 55 VD 620/790
1	A	mm	620	
2	F	mm	1480	1600
3	C	mm	580	
4	DN	Ø mm	180	200
5	B	mm	670	790
6	FF	mm	1750	1870
7	V	mm	730	
8	AA	mm	550	
9	H	mm	455	
10	J	mm	325 + /160/	
11	K	Ø mm	4x125	
12	L	Ø mm	125	
13	M	mm	20	
14	N	mm	50	

**Basic design:**

Thermodynamic Hearth  
 Segment chamotte lining SO  
 Glass Classic  
 Inox control grip-handle MP2, RP2  
 1 x VD, 1 x LD  
 Enviromentally friendly varnish

Technical parameters			
1	Nominal heat output	kW	11,0
2	Pressure required	Pa	12
3	Average efficiency	%	76,4
4	Average flue gas temperature	°C	274
5	Wood consuption	kg/h	3,4
6	Consumption of combustion air	m3/h	33
7	Emission of CO to 13% O2	%	0,1
8	Flue gas mass flow	g/s	12,1
9	Weight	kg	325
10	Required min. cross section for circulating air - INPUT	cm <sup>2</sup>	350
11	Required min. cross section for circulating air - OUTPUT	cm <sup>2</sup>	550
12	Three-component insulated chimney - active height 6 m	Ø cm	180
13	Character of building construction with fireplace insert	warm air convection	Yes
		heat storage without conv	No

**Optional accessories:**

Cover frame (KR)  
 Glass Reflex (SR)  
 Black printed glass(SM)  
 External ashtray (VOP)  
 Lower hearth (ZO)  
 Convectional casing (DP)  
 Rear feeding door (DPS,DPSO)  
 Vertical heat-storing panel (AZ)  
 Lift up door (2xVD)

Test Method: ČSN EN 1322/A2:2007, FprEN16510-1, FprEN16510-2-2

Fireplace complies with the requirements: EN 13229, DIN +, BlmSchV-Stufe 2, Commission Regulation (EU) č. 2015/1185 Ecodesign requirements

KOBOK reserves the right to change dimensions and parameters described in these sheets. The current edition can be downloaded from www.KOBOK.sk