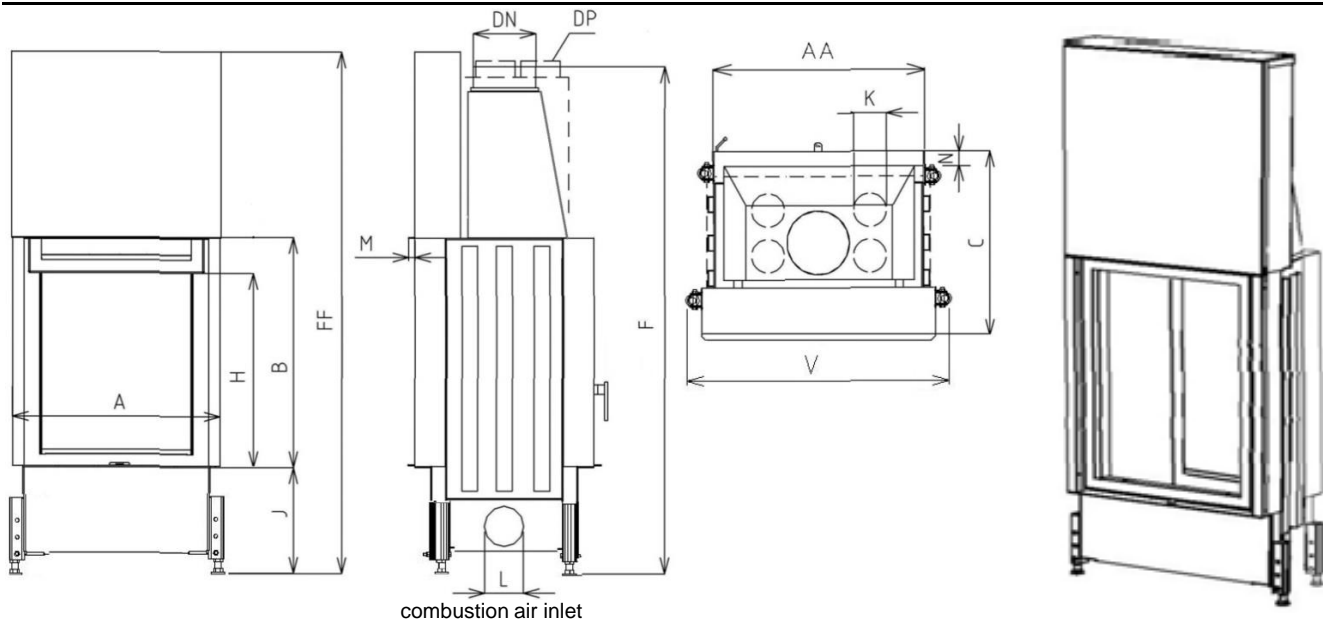


**BYSTRÁ O 44 VD 510/570,670**

Range 44



combustion air inlet

Sizes			BYSTRÁ O 44 VD 510/570	BYSTRÁ O 44 VD 510/670
1	A	mm	510	
2	F	mm	1380	1480
3	C	mm	580	
4	DN	Ø mm	180	
5	B	mm	570	670
6	FF	mm	1600	1750
7	V	mm	660	
8	AA	mm	440	
9	H	mm	455	
10	J	mm	325 + /160/	
11	K	Ø mm	4x125	
12	L	Ø mm	125	
13	M	mm	20	
14	N	mm	50	

**Basic design:**

Thermodynamic Hearth  
 Segment chamotte lining SO  
 Glass Classic  
 Inox control grip-handle MP2, RP2  
 1 x VD, 1 x LD  
 Enviromentally friendly varnish

Technical parameters			
1	Nominal heat output	kW	8,0
2	Pressure required	Pa	12
3	Average efficiency	%	75,7
4	Average flue gas temperature	°C	280
5	Wood consumption	kg/h	2,9
6	Consumption of combustion air	m <sup>3</sup> /h	24
7	Emission of CO to 13% O <sub>2</sub>	%	0,1
8	Flue gas mass flow	g/s	8,6
9	Weight	kg	275
10	Required min. cross section for circulating air - INPUT	cm <sup>2</sup>	250
11	Required min. cross section for circulating air - OUTPUT	cm <sup>2</sup>	400
12	Three-component insulated chimney - active height 5 m	Ø cm	180
13	Character of building construction with fireplace insert	warm air convection	Yes
		heat storage without conv	No

**Optional accessories:**

Cover frame (KR)  
 Glass Reflex (SR)  
 Black printed glass(SM)  
 External ashtray (VOP)  
 Lower hearth (ZO)  
 Convectional casing (DP)  
 Rear feeding door (DPS,DPSO)  
 Vertical heat-storing panel (AZ)  
 Lift up door (2xVD)

Test Method: ČSN EN 1322/A2:2007, FprEN16510-1, FprEN16510-2-2

Fireplace complies with the requirements: EN 13229, DIN +, BlmSchV-Stufe 2, Commission Regulation (EU) č. 2015/1185 Ecodesign requirements

KOBOK reserves the right to change dimensions and parameters described in these sheets. The current edition can be downloaded from www.KOBOK.sk